



Parts Manual

Onan Generator Set for Commercial Mobile

HDKBB (Spec A–J)

HDKBC (Spec D–J)

Introduction

This parts manual applies to the standard generator sets listed below. Parts are arranged in groups of related items and each illustrated part is defined by a reference number corresponding to the same reference number in the parts list. Parts illustrations are typical. Using the model and specification number from your generator set nameplate, select parts that apply to your set. Right and left sides are determined by facing the engine end (front) of the set.

Generator Set Data Table

Model Identification	Fuel	Wiring Diagram	Voltage	Hertz	Phase
5.5HDKBB 2860A/B/C	Diesel	630-2298	120	60	1
5.5HDKBB 2861A/B/C	Diesel	630-2298	120/240	60	1
5.5HDKBB 2905A/B/C	Diesel	630-2298	120/240	60	3
5.0HDKBB 2862A/B/C	Diesel	630-2298	115/230	50	1
5.0HDKBB 2863A/B/C	Diesel	630-2298	230/400	50	3
5.0HDKBB 6880C/D	Diesel	630-2298	230	50	1
5.0HDKBC 2860D	Diesel	630-2298	120	60	1
5.0HDKBC 2861D	Diesel	630-2298	120/240	60	1
5.0HDKBC 2905D	Diesel	630-2298	120/240	60	3

* – The specification number denotes customer requested options or deviations from a standard (1A, 1B, etc.) model. The specification letter advances (A, to B, to C, etc.) with major manufacturing changes.

This Page Intentionally Left Blank.

Index

A

AC Harness, **65** , **66** , **67**
AC, Harness, **65** , **66** , **67**
Adapter, Flywheel, **37**
Apparatus, Idle, **30**
Arm, Rocker, **19** , **20**

B

Baffle, Air, **49**
Ball, Crankshaft, **10** , **11** , **12** , **13**
Ball, Governor Gear, **39** , **40**
Ball, Valve Seat, **27**
Bearing, Ball, **60**
Bearing, Coolant Water Pump, **46**
Bearing, Crankshaft, **10** , **11** , **12** , **13**
Bearing, Drive Pulley, **37**
Bearing, Fuel Camshaft Ball, **39** , **40**
Bearing, Governor Carrier Ball, **31**
Belt, **52**
Belt, Drive, **37**
Block, Cylinder, **9**
Block, Terminal, **68**
Bolt, Flywheel, **37**
Box, Control, **62**
Bracket, Control, **63**
Bracket, Engine, **56**
Bracket, Exhaust, **58**
Bracket, Fuel Filter, **41** , **42**
Bracket, Generator, **56**
Bracket, Hose, **51**
Bracket, Lifting, **37**
Bracket, Radiator, **49**
Bracket, Rocker Arm, **19** , **20**
Brush, Block, **60** , **61**
Bulkhead, Fitting, **41**
Bush, Idle Gear, **14**
Bush, Piston Pin, **10** , **11** , **12** , **13**

C

Camshaft, **14**
Camshaft, Fuel, **39** , **40**
Cap, Cylinder Block, **9**
Cap, Cylinder Head, **17** , **18**
Cap, Elbow Joint, **25**
Cap, Fill, **50**
Cap, Idle Apparatus, **30**
Cap, Valve, **19** , **20**
Carrier, Governor, **31**
Case, Governor Ball, **39** , **40**
Case, Main Bearing, **15** , **16**
Circlip, Fuel Camshaft, **39** , **40**
Circlip, Piston Pin, **10** , **11** , **12** , **13**
Clamp, **42**
Clamp, Air Cleaner, **44**
Clamp, Hose, **26**
Clamp, J, **41** , **42**
Clamp, Loop, **41**
Clamp, Muffler Isolator, **58** , **59**
Collar, Crankshaft, **10** , **11** , **12** , **13**
Collar, Idle Gear, **14**
Collar, Speed Control, **28**
Collet, Valve Spring, **19** , **20**
Comp. Valve Breather, **26**
Components, Coolant Water Pump, **46**
Components, Injection Pump, **33**
Components, Nozzle Holder, **24**
Control, **63**
Coolant Hose, **48**
Coolant System, **49**
Cord, Glow Plug, **21** , **22** , **23**
Coupling, Flywheel, **37**
Cover, Access Panel (LH), **59**
Cover, Air Cleaner, **44**
Cover, Breather, **26**
Cover, Cylinder Block Hole, **9**

Index

Cover, Cylinder Head, **25 , 26**
Cover, Cylinder Head (Begin Spec C), **26**
Cover, Enclosure, **62**
Cover, Enclosure Font, **59**
Cover, Enclosure Left Hand, **59**
Cover, Enclosure Right Hand, **59**
Cover, Enclosure Top, **59**
Cover, Fuel Camshaft, **9 , 39**
Cover, Governor, **31**
Cover, Guard, **56**
Cover, Main Bearing Case, **15**
Cover, Oil Fill, **25**
Cover, Service, **56**
Cover, Thermostat, **45**
Crankshaft, **10 , 11 , 12 , 13**

D

Duct, Inlet, **49**
Duct, Radiator, **49**

E

Elbow, 90 Degree Coolant Drain, **9**
Element, Air Cleaner, **44**
Element, Breather, **25**
Enclosure, **59**
Endbell, **60 , 61**
Engine, Replacement, **9**
Exhaust System, **58**

F

Fan, **60 , 61**
Fan, Generator, **60 , 61**
Filter, Fuel, **41 , 42**
Filter, Oil, **27**
Flange, Coolant Water Pump, **46**
Flange, Injection Pump Sleeve, **33**
Flange, Water, **45**
Flywheel, **36 , 37**

Fuel System, **41 , 42**

G

Gasket, Air Bleeder Screw, **21 , 22 , 23**
Gasket, Air Cleaner, **44**
Gasket, Coolant Water Pump, **46**
Gasket, Cylinder Block Hole Cover, **9**
Gasket, Cylinder Block Plug, **9**
Gasket, Cylinder Head, **17 , 18**
Gasket, Cylinder Head Cover, **25**
Gasket, Cylinder Head Nut, **25**
Gasket, Delivery Valve, **33**
Gasket, Exhaust Muffler, **58**
Gasket, Exhaust Out, **58**
Gasket, Gearcase, **27**
Gasket, Idle Apparatus, **30**
Gasket, Injection Pump, **33**
Gasket, Injector Nozzle, **21 , 22 , 23**
Gasket, Inlet Manifold, **43**
Gasket, Main Bearing Case, **15**
Gasket, Oil Pump, **9**
Gasket, Rocker Cover, **26**
Gasket, Speed Control Plate, **28**
Gasket, Thermostat, **45**
Gasket, Water Flange, **45**
Gauge, Oil Pressure, **73**
Gauge, Water Temperature, **73**
Gear, Cam, **14**
Gear, Crankshaft, **10 , 11 , 12 , 13**
Gear, Idle, **14**
Gear, Injection Pump, **39 , 40**
Gear, Oil Pump Drive, **9**
Gear, Ring, **37**
Gearcase, **27**
Generator, **60 , 61**
Governor, **31**
Grommet, Generator Stator, **60 , 61**
Guard, Radiator Fan, **56**
Guide, Valve, **17 , 18**

Index

H

Harness, Adapter, **69**
Harness, Battery, **68**
Harness, Control, **64**
Harness, Remote, **69**
Harness, Remote Gauge Panel, **73**
Harness, Remote Panel, **69**
Harness, Remote Panel (W/Hourmeter), **71**
Harness, Remote Panel (W/Switch), **70**
Harness, Remote Panel (W/Volt Meter), **72**
Harnesses, Remote, **69**
Head, Cylinder, **17** , **18**
Holder, Delivery Valve, **33**
Holder, Nozzle, **21** , **22** , **23**
Hook, Engine, **17** , **18**
Hose, Air, **50**
Hose, Coolant, **47**
Hourmeter, **62** , **71**
Housing, Air Cleaner, **44**
Hub, Flywheel Flex Coupling, **37**

I

Impeller, Coolant Water Pump, **46**
Indicator Assy, Oil , **53** , **54**
Indicator, Oil, **53**
Indicator, Oil Fill, **53** , **54**
Intake System, **44**
Isolator, Muffler, **58** , **59**
Isolator, Vibration, **56**

J

Joint, Breather Hose Elbow, **25**
Joint, Injection Pump Eye, **32** , **34**
Joint, Oil Filter Pipe, **27**

K

Key, Camshaft Feather, **14**
Key, Crankshaft Feather, **10** , **11** , **12** , **13**
Key, Fuel Camshaft Feather, **39** , **40**

Key, Oil Pump Feather, **9**
Kit, Muffler, **58**
Kit, Nozzle Holder, **21** , **22** , **23**
Kit, Remote Control Panel (W/Hourmeter), **71**
Kit, Remote Control Panel (W/Switch), **70**
Kit, Remote Control Panel (W/Volt Meter), **72**

L

Label, Remote Panel (W/ Volt Meter) (Start/Pre-heat), **72**
Label, Remote Panel (W/Gauges) (Diesel Gen-set), **73**
Label, Remote Panel (W/Gauges) (M14, M13, M12), **73**
Label, Remote Panel (W/Switch) (Start/Preheat), **70**
Label, Warning, **71** , **72**
Labels, **74**
Latch, **59**
Lever, Engine Stop, **30**
Lever, Fork, **29**
Lever, Governor, **28**
Lever, Speed Control, **28**
Lever, Speed Control Engine Stop, **28**
Line, Fuel, **42**
Line, Fuel Injection Pump, **41**

M

Manifold, Exhaust, **57**
Manifold, Inlet, **43**
Meter, Running Time, **73**
Meter, Volt, **72**
Meter, Volt (M14), **73**
Muffler, Exhaust, **58**

N

Neck, Fill, **50**
Nozzle, **21** , **22** , **23**
Nozzle, Injection, **24**
Nut, Lock, **42**

Index

O

O'Ring, **26**
O'Ring, Crankshaft, **10 , 11 , 12 , 13**
O'Ring, Cylinder Block, **9**
O'Ring, Cylinder Head, **17 , 18**
O'Ring, Gearcase, **27**
O'Ring, Generator Pulley, **37**
O'Ring, Generator Rotor, **60 , 61**
O'Ring, Injection Pump, **33**
O'Ring, Oil Fill Cover, **25**
O'Ring, Speed Control, **28**

P

Pan, Drip, **56**
Pan, Oil, **55**
Panel, Access, **59**
Panel, Air Baffle, **59**
Panel, Control, **62**
Panel, Remote (W/Gauges), **73**
Panel, Remote (W/Hour Meter), **71**
Panel, Remote (W/Switch), **70**
Panel, Remote (W/Volt Meter), **72**
Pin, Cylinder Block Pipe, **9**
Pin, Cylinder Block Straight, **9**
Pin, Fork Lever Spring, **29**
Pin, Injection Pump, **33**
Pin, Piston, **10 , 11 , 12 , 13**
Pin, Rocker Arm Spring, **19 , 20**
Pin, Speed Control Spring, **28**
Pin, Start Spring, **27**
Pipe, Coolant Water Return, **46**
Pipe, Exhaust Muffler, **58**
Pipe, Injection, **21 , 22 , 23**
Pipe, Overflow, **21 , 23**
Pipe, Water Return, **26 , 45 , 48**
Piston, **10 , 11 , 12 , 13**
Plate, Breather, **25**
Plate, Injection Pump, **33**
Plate, Speed Control, **28**
Plug, Cylinder Block, **9**

Plug, Cylinder Head, **17 , 18**
Plug, Gearcase, **27**
Plug, Glow, **21 , 22 , 23**
Plug, Oil Filler, **26**
Plunger, Injection Pump, **33**
Pulley, Drive, **37**
Pulley, Fan, **52**
Pulley, Generator, **37**
Pulley, Water Pump, **52**
Pump, Coolant Water, **46**
Pump, Fuel, **41 , 42**
Pump, Injection, **32 , 34**
Pump, Oil, **9**

R

Rack, Injection Pump Control, **33**
Radiator, **49**
Relay, 12V SPDT, **63**
Resonator, Intake, **44**
Retainer, Valve Spring, **19 , 20**
Ring, Governor Rotor Retaining, **31**
Ring, Idle Gear Snap, **14**
Ring, Piston, **10 , 11 , 12 , 13**
Rod, Connecting, **10 , 11 , 12 , 13**
Rod, Nozzle Holder Push, **24**
Rod, Push, **14**
Rotor, **60**
Rotor, Governor, **31**

S

Screw, Hex Flange Head, **61**
Screw, Hex Head, **41 , 42 , 61**
Seal, Coolant Water Pump Mechanical, **46**
Seal, Gearcase Oil, **27**
Seal, Main Bearing Case Oil, **15**
Seal, Valve Stem, **19 , 20**
Seat, Injection Pump Spring, **33**
Seat, Valve, **27**
Sender, Water Temperature, **17**
Shaft, Fork Lever, **29**

Index

Shaft, Governor Lever, **28**
Shaft, Idle Gear, **14**
Shaft, Rocker Arm, **19 , 20**
Shield, Breather, **26**
Shield, Breather Oil, **25**
Shim, Injection Pump, **32 , 34**
Shim, Injection Pump Components, **33**
Sleeve, Crankshaft, **10 , 11 , 12 , 13**
Sleeve, Governor, **39 , 40**
Sleeve, Injection Pump Control, **33**
Slinger, Oil, **10 , 11 , 12 , 13**
Spacer, Nozzle Holder, **24**
Spring, Delivery Valve, **33**
Spring, Fork Level Governor, **29**
Spring, Governor, **29 , 31**
Spring, Injection Pump Plunger, **33**
Spring, Nozzle Holder, **24**
Spring, Rocker Arm, **19 , 20**
Spring, Valve, **19 , 20**
Spring, Valve Seat, **27**
Starter, **38**
Stator, Generator, **60**
Stator, Governor, **31**
Stopper, Camshaft, **14**
Stopper, Fuel Camshaft, **39 , 40**
Strap, Bond, 56 , **68**
Switch, Oil Pressure, **9**

Switch, Remote Control Panel Rocker, **70**
Switch, Remote Control Panel W/Meter Rocker, **71**
Switch, Remote Control Panel W/Voltmeter Rocker, **72**
Switch, Remote Gauge Panel Rocker, **73**

T

Tank, Coolant, **49**
Tappet, Camshaft, **14**
Tappet, Injector Pump, **33**
Tensioner, Belt, **37**
Thermostat, Water, **45**
Transformer, (Three Phase), **63**
Transformer, Bracket, **63**
Tube, Breather, **26**
Tube, Oil, **53**

V

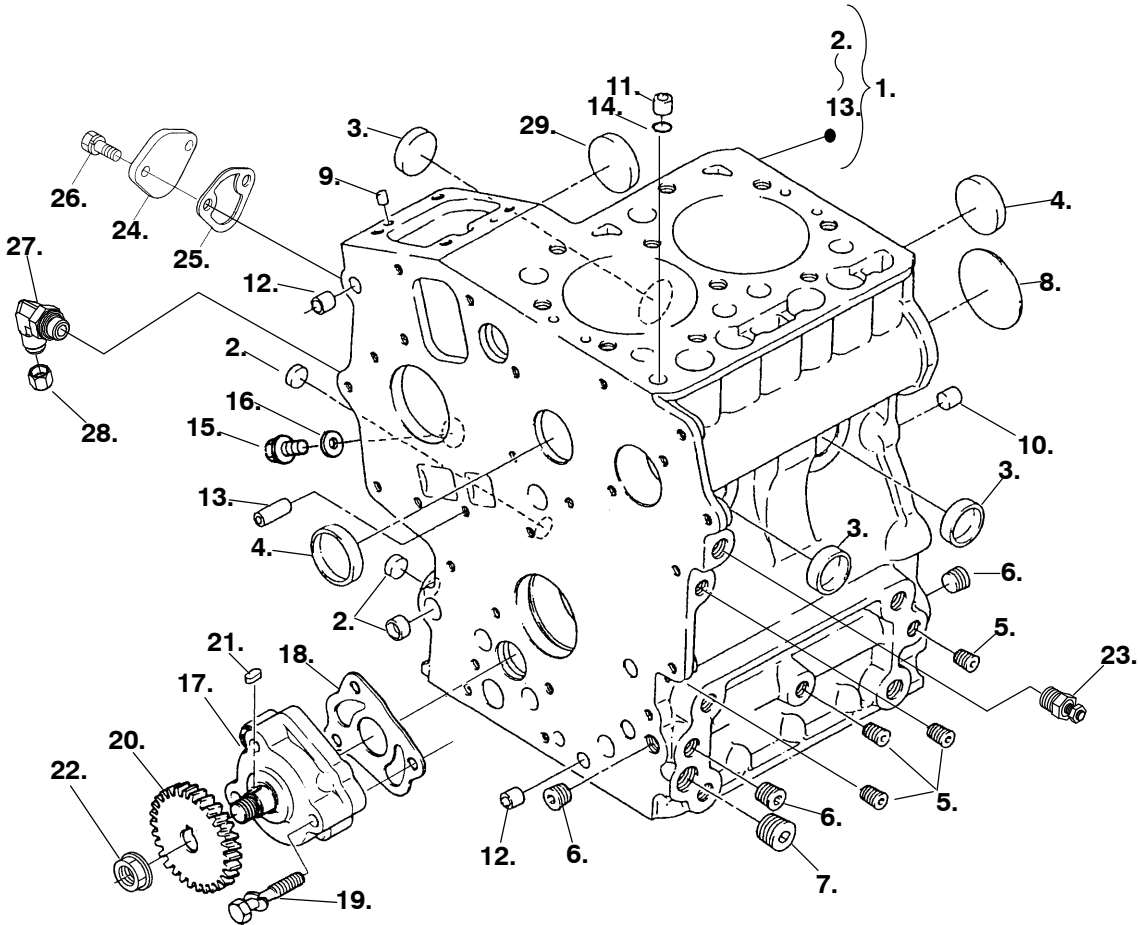
Valve, **19 , 20**
Valve, Delivery, **33**

W

Washer, Flat, **41 , 42**
Wire, Injection Pump Retainer, **33**

This Page Intentionally Left Blank.

Cylinder Block

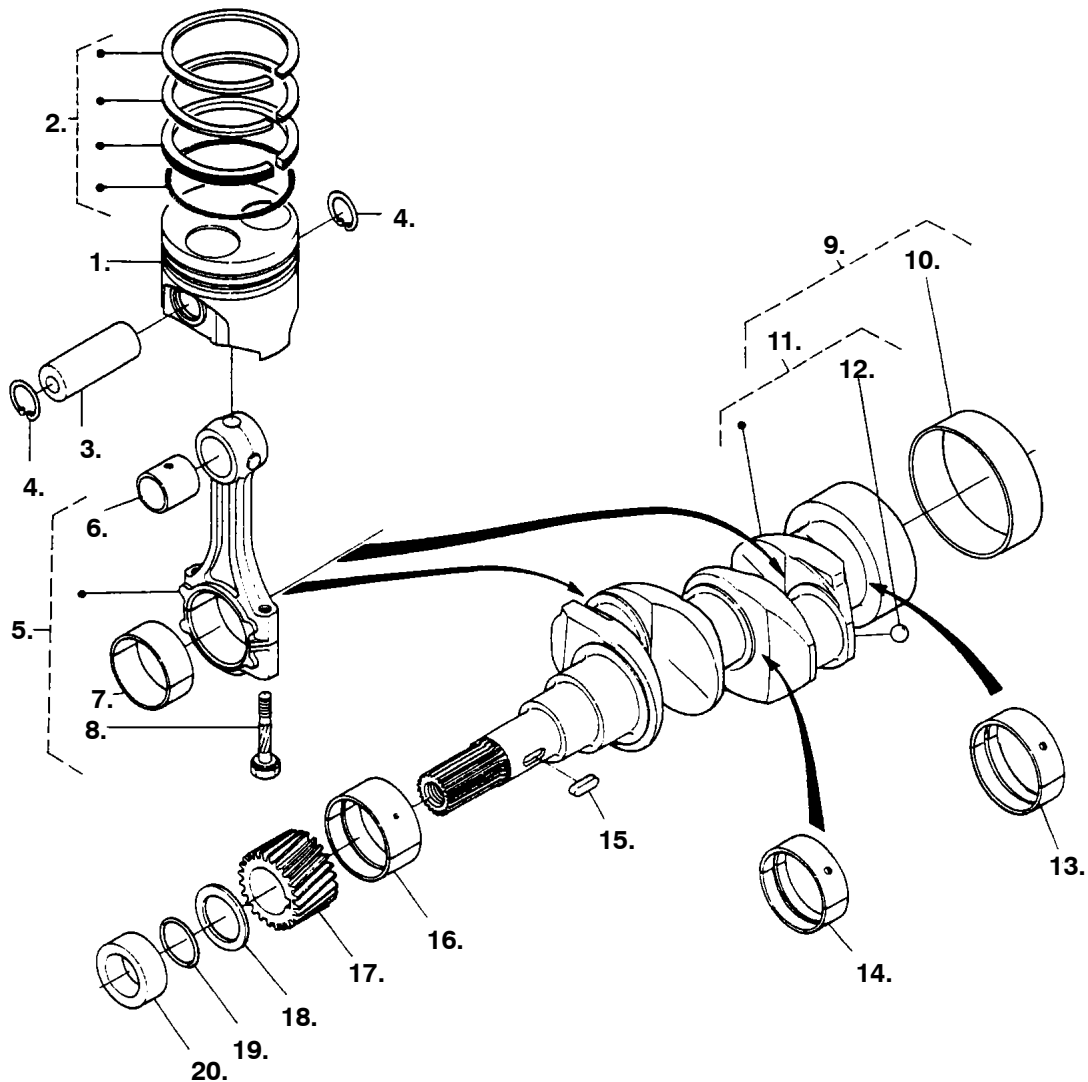


REF NO.	PART NO.	QTY USED	PART DESCRIPTION	REF NO.	PART NO.	QTY USED	PART DESCRIPTION
		1	Engine, Replacement	16.			Gasket
	0100-4110		Spec A-F		184-0014	1	Spec A
	A044B670		Begin Spec G		509-0549	1	Begin Spec C
1.			Block Assy, Cylinder (Includes Parts Marked *)	17.	185-5412	1	Pump, Oil
	184-0045	1	Spec A-B	18.	185-5413	1	Gasket, Oil Pump
	181-9173	1	Spec C	19.	185-5491	3	Bolt
	110-4124	1	Spec D-F	20.			Gear, Oil Pump Drive
	A047P267	1	Spec H		185-5414	1	(Spec C-G)
2.	185-5482	3	*Cap, Sealing		A047P292	1	(Spec H)
3.	185-5483	3	*Cap, Sealing	21.	185-5415	1	Key, Feather
4.	185-5484	2	*Cap, Sealing	22.	185-5416	1	Nut, Flange
5.	185-2188	4	*Plug	23.	185-5492	1	Switch, Oil Pressure
6.	185-2233	3	*Plug	24.	185-5798	1	Cover
7.	185-2234	1	*Plug	25.	185-6580	1	Gasket, Hole Cover
8.	185-5485	1	*Plug, Expansion	26.	185-2388	2	Bolt
9.	185-5486	2	*Pin, Straight	27.	502-1359	1	Elbow, 90° Coolant Drain
10.	185-5487	2	*Pin, Straight	28.	502-1360	1	Nut, Cap
11.	185-2094	1	*Pin, Pipe	29.	185-5489	1	Cover, Fuel Camshaft
12.	185-2115	2	*Pin, Pipe				
13.	185-5488	2	*Pin, Pipe				
14.	185-2095	1	O'Ring (Spec A-C)				
15.	181-9022	1	Plug				

* - Parts Included in Cylinder Block Assy.

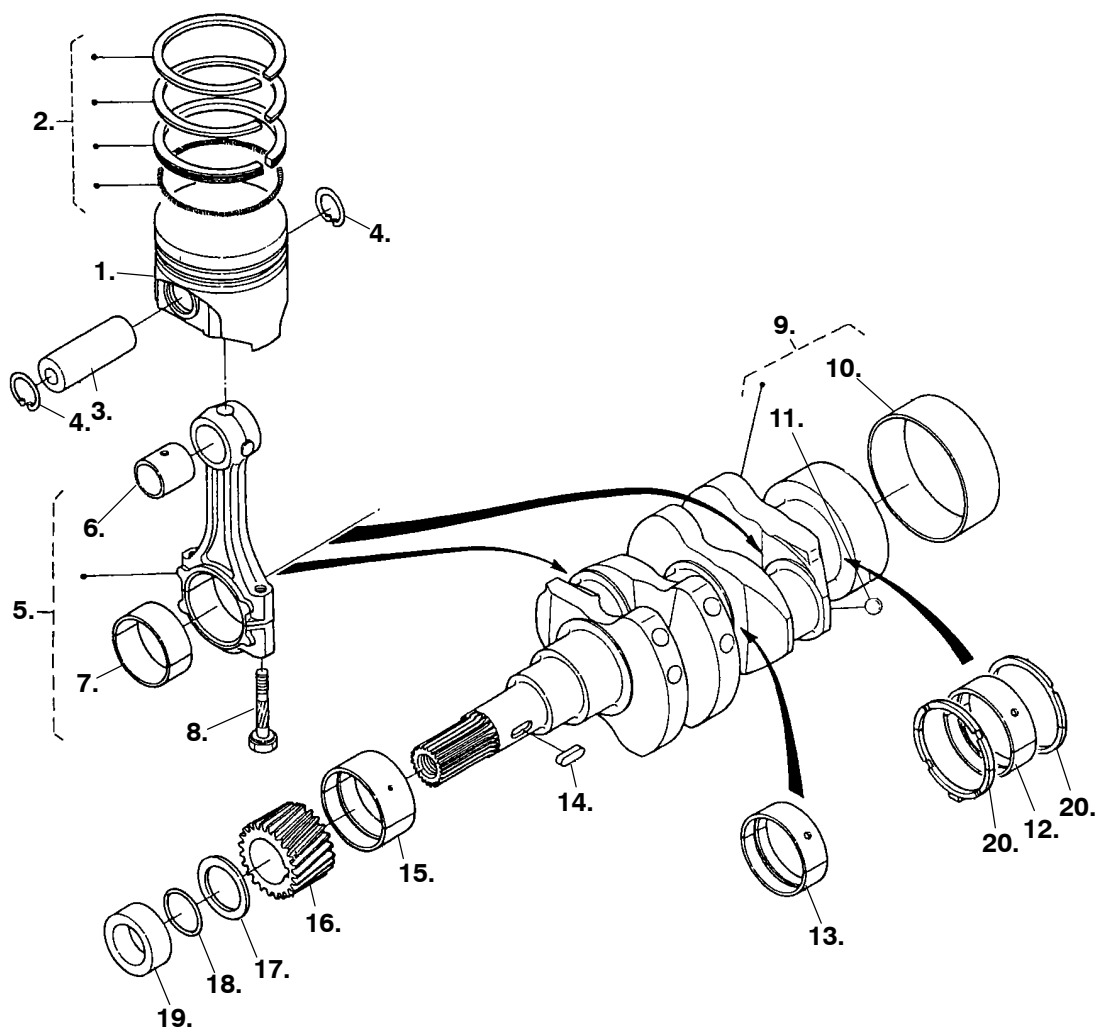
+ - Parts Included in Isolated Ground Kit Listed on Relay Page.

Piston and Crankshaft (Spec A-B)



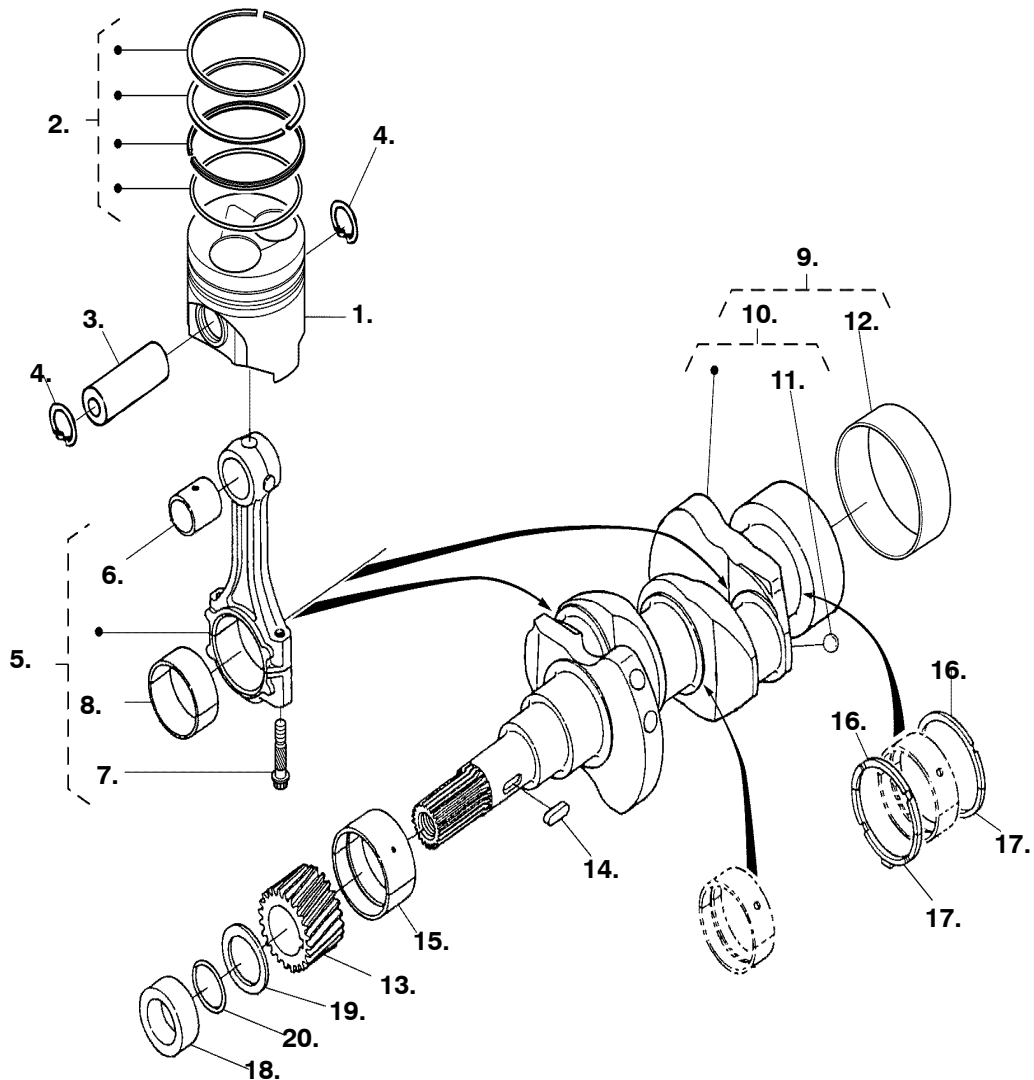
REF NO.	PART NO.	QTY USED	PART DESCRIPTION	REF NO.	PART NO.	QTY USED	PART DESCRIPTION
1.			Piston	11.	184-0034	2	Crankshaft (Includes Ball)
	184-0032	2	Standard	12.	185-5575	2	Ball
	184-0033	2	+0.50mm	13.			Bearing
2.			Ring Assy, Piston		185-5580	1	Standard
	184-0030	2	Standard		185-2026	1	-0.20mm
	184-0031	2	+ .050mm		185-5357	1	-0.40mm
3.	185-5568	2	Pin, Piston	14.			Bearing
4.	185-2016	4	Circlip, Piston Pin		185-5581	1	Standard
5.	185-5569	2	Rod Assy, Connecting (Includes Bush, Bolt, and Bearing)		185-5360	1	-0.20mm
6.	185-5358	2	Bush, Piston Pin		185-5361	1	-0.40mm
7.			Bearing	15.	185-2353	1	Key, Feather
	185-5571	2	Standard	16.			Bearing
	185-5572	2	-0.20mm		185-5577	1	Standard
	185-5573	2	-0.40mm		185-5578	1	-0.20mm
8.	185-5570	4	Bolt, Connecting Rod		185-5579	1	-0.40mm
9.	184-0046	1	Crankshaft Assy (Includes Sleeve, Crankshaft and Ball)	17.	185-5576	1	Gear
10.	185-2033	1	Sleeve	18.	185-5583	1	Slinger, Oil
				19.	184-0021	1	O'Ring
				20.	185-5582	1	Collar, Crankshaft

Piston and Crankshaft (Spec C)



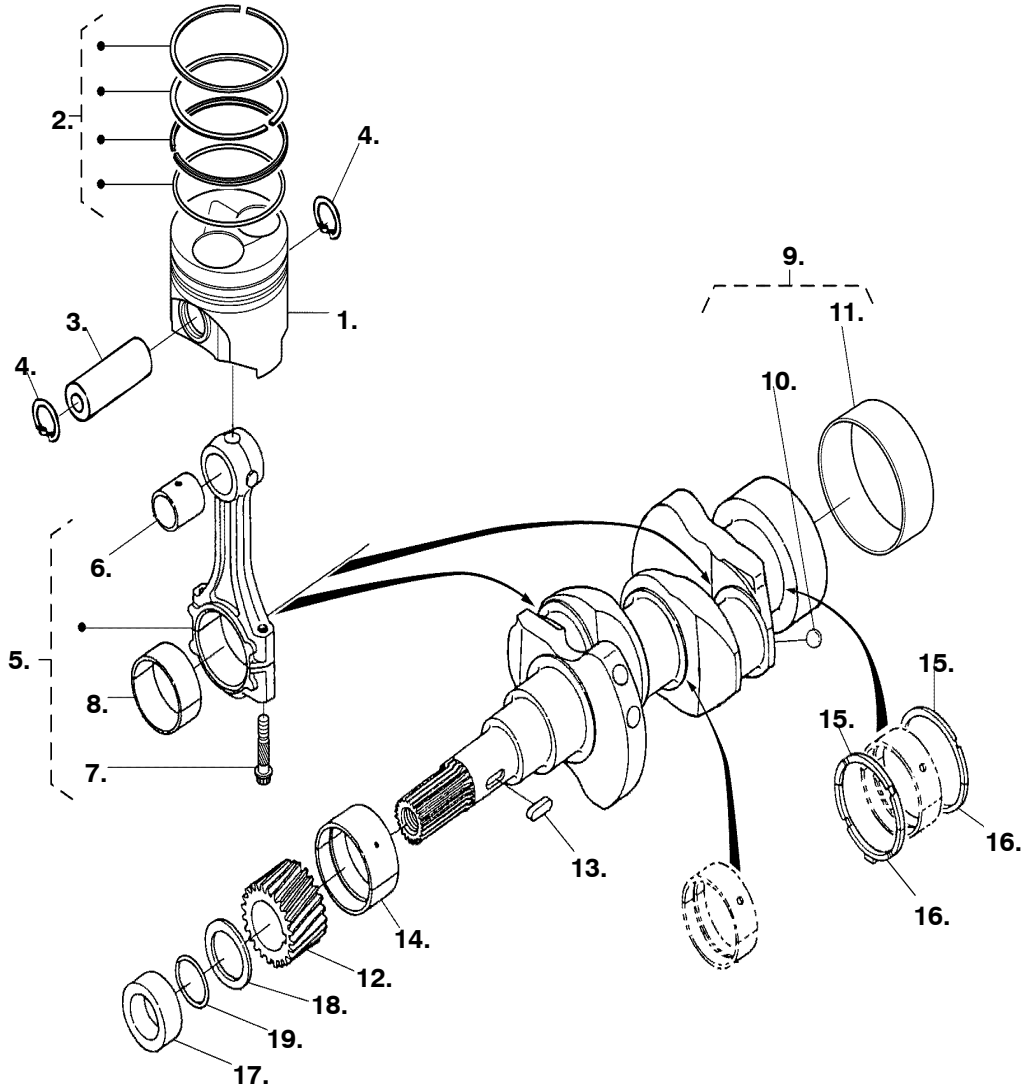
REF NO.	PART NO.	QTY USED	PART DESCRIPTION	REF NO.	PART NO.	QTY USED	PART DESCRIPTION
1.	185-5566	2	Piston	12.	185-5580	1	Bearing
	185-5350	2	Standard		185-2026	1	Standard
2.		2	+0.25mm		185-5357	1	-0.20mm
	185-7076	2	Ring Assy, Piston				-0.40mm
	185-7386	2	Standard	13.	185-5581	1	Bearing
3.	185-5568	2	Pin, Piston		185-5360	1	Standard
4.	185-2016	4	Circlip, Piston Pin		185-5361	1	-0.20mm
5.	181-9162	2	Rod Assy, Connecting (Includes Bush, Bolt, and Bearing)		185-2353	1	-0.40mm
6.	185-5358	2	Rod Assy, Connecting (Includes Bush, Bolt, and Bearing)	14.	185-2353	1	Key, Feather
7.		2	Bush, Piston Pin	15.	185-5577	1	Bearing
	185-5571	2	Bearing		185-5578	1	Standard
	185-5572	2	Standard		185-5579	1	-0.20mm
	185-5573	2	-0.20mm		185-5576	1	-0.40mm
8.	185-5570	4	Bolt, Connecting Rod	16.	185-5576	1	Gear
9.	181-9163	1	Crankshaft Assy (Includes Sleeve, Crankshaft and Ball)	17.	185-5583	1	Slinger, Oil
10.	185-2033	1	Sleeve	18.	184-0021	1	O'Ring
11.	185-5575	2	Ball	19.	185-5582	1	Collar, Crankshaft
				20.	185-2030	2	Ring Assy, Piston
					185-2031	2	+0.20mm
							+0.040mm

Piston and Crankshaft (Spec D-G)



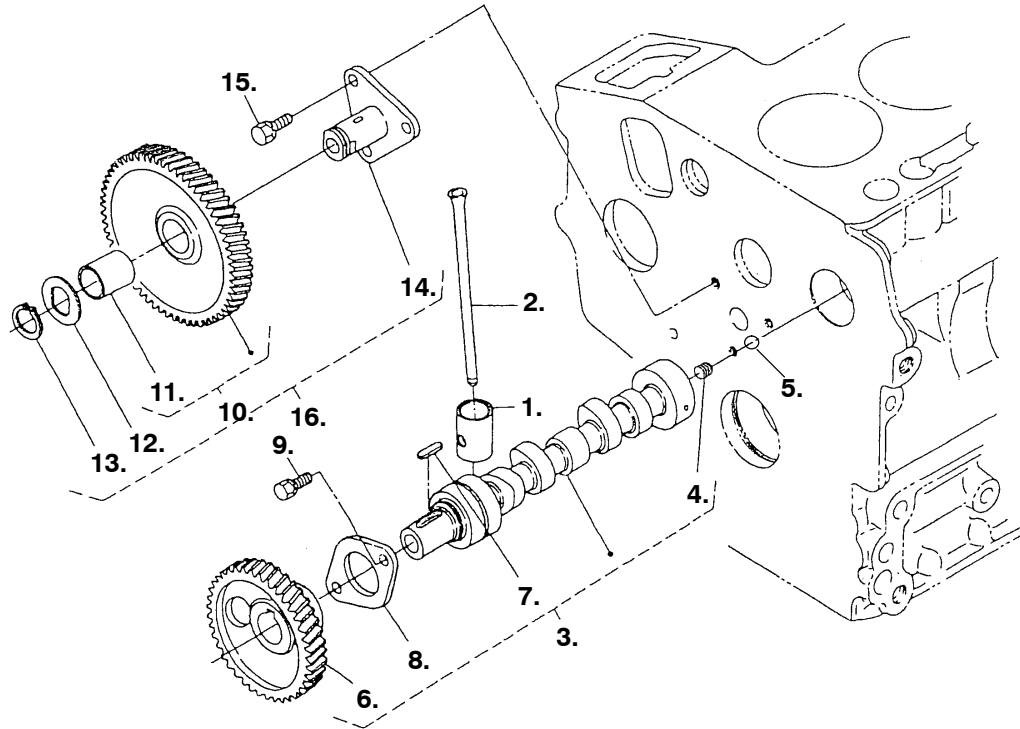
REF NO.	PART NO.	QTY USED	PART DESCRIPTION	REF NO.	PART NO.	QTY USED	PART DESCRIPTION
1.	185-2387	2	Piston	11.	185-5573	2	Ball
	185-5350	2	Standard +0.25mm	12.	185-2033	1	Sleeve
2.	185-7076	2	Ring Assy, Piston	13.	185-5576	1	Gear
	185-7386	2	Standard +.025mm	14.	185-2353	1	Key, Feather
3.	185-5568	2	Pin, Piston	15.	185-5577	1	Bearing
4.	185-2016	4	Circlip, Piston Pin		185-5578	1	Standard -0.20mm
5.	181-9162	2	Rod Assy, Connecting (Includes Bush, Bolt, and Bearing)		185-5579	1	-0.40mm
6.	185-5358	2	Bush, Piston Pin	16.	185-2022	1	Bearing
7.	185-5570	4	Bolt, Connecting Rod		185-2028	1	Standard -0.20mm
8.	185-5571	2	Bearing		185-2029	1	-0.40mm
	185-5572	2	Standard -0.20mm	17.	185-2023	1	Bearing
	185-5573	2	-0.40mm		185-2030	1	Standard -0.20mm
9.	104-2099	1	Crankshaft Assy (Includes Sleeve, Crankshaft and Ball)		185-2031	1	-0.40mm
10.	104-2173	1	Component, Camshaft	18.	185-5582	1	Collar, Crankshaft
				19.	185-5583	1	Slinger, Oil
				20.	184-0021	1	O'Ring

Piston and Crankshaft (Begin Spec H)



REF NO.	PART NO.	QTY USED	PART DESCRIPTION	REF NO.	PART NO.	QTY USED	PART DESCRIPTION
1.			Piston	11.	185-2033	1	Sleeve
	A046X258	2	Standard	12.	A040P912	1	Gear
	A046X266	2	+0.25mm	13.	A040R030	1	Key, Feather
2.			Ring Assy, Piston	14.			Bearing
	A046X269	2	Standard		A047P585	1	Standard
	A046X274	2	+ .025mm		A047P588	1	-0.20mm
3.	A040R189	2	Pin, Piston		A047P591	1	-0.40mm
4.	185-2016	4	Circlip, Piston Pin	15.			Bearing
5.	A046X323	2	Rod Assy, Connecting (Includes Bush, Bolt, and Bearing)		185-2022	1	Standard
6.	A040P952	2	Bush, Piston Pin		185-2028	1	-0.20mm
7.	A040P195	4	Bolt, Connecting Rod		185-2029	1	-0.40mm
8.			Bearing	16.			Bearing
	A046X327	2	Standard		185-2023	1	Standard
	A047P563	2	-0.20mm		185-2030	1	-0.20mm
	A047P581	2	-0.40mm		185-2031	1	-0.40mm
9.	104-2173	1	Crankshaft Assy (Includes Sleeve, Crankshaft and Ball)	17.	185-5582	1	Collar, Crankshaft
10.	A040P681	2	Ball	18.	A040R610	1	Slinger, Oil
				19.	181-9020	1	O'Ring

Camshaft

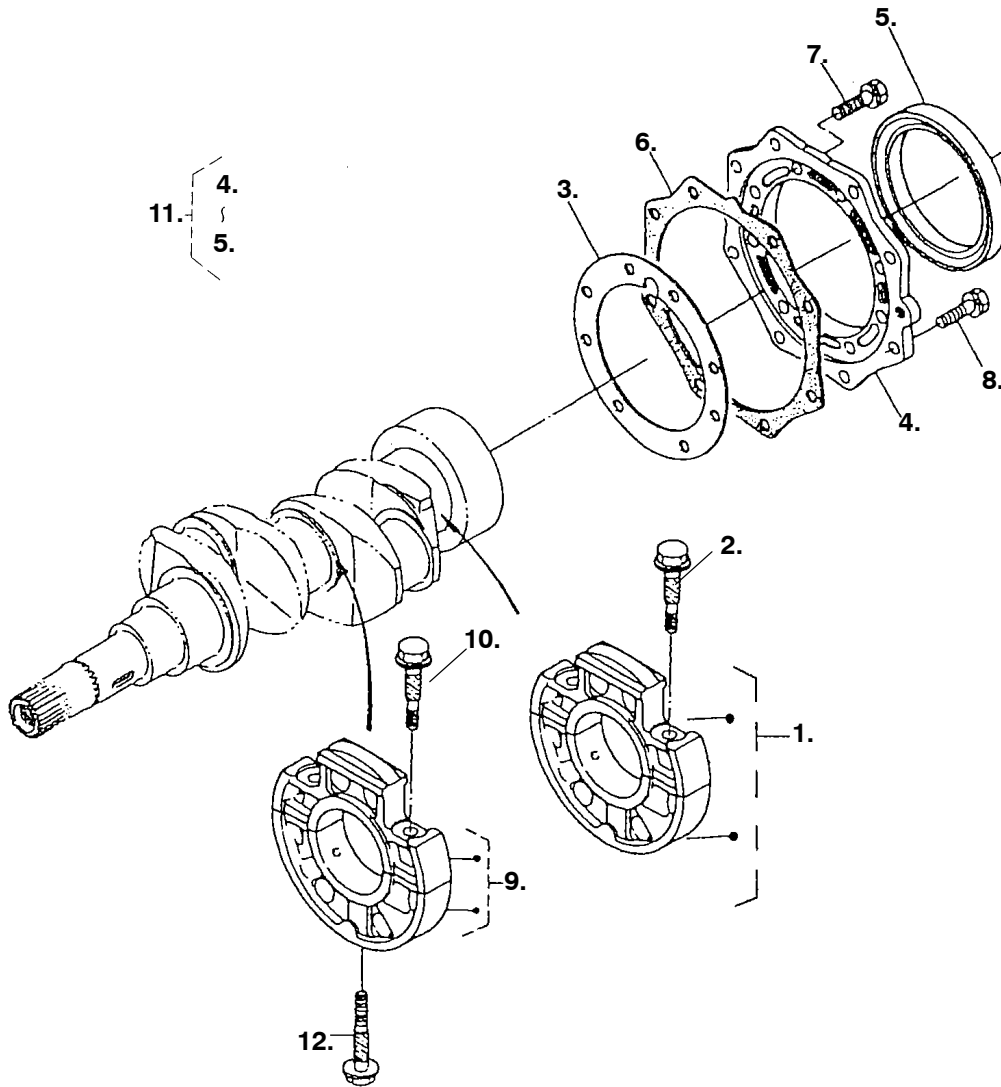


REF NO.	PART NO.	QTY USED	PART DESCRIPTION	REF NO.	PART NO.	QTY USED	PART DESCRIPTION
1.	185-5554	4	Tappet		A047P356	1	(Spec H)
2.	185-5554	4	Spec A-C	11.	185-7385	1	+Bush (Spec A-G)
	181-9159	4	Begin Spec D		A047P360	1	(Spec H)
3.			Camshaft Assy (Includes Parts Marked *)	12.	185-5563	1	+Collar, Idle Gear
	185-7384	1	Spec A-C	13.	185-5564	1	+Ring, Snap
	105-0768	1	Spec D-G	14.	185-5565	1	+Shaft, Idle Gear
	A047P353	1	Spec H	15.	185-2387	3	Bolt
4.	185-5558	1	*Screw, Set (Spec A)	16.		1	Gear, Idle (Includes Parts Marked +)
5.	185-5924	1	*Ball (Spec C-D)		181-9077	1	(Spec A-G)
6.	185-7075	1	*Gear, Cam		A040P552	1	(Spec H)
7.	185-5560	1	*Key, Feather				
8.	185-5561	1	*Stopper, Camshaft				
9.	185-2386	2	Bolt				
10.			+Gear, Idle (Includes Bush)				
	185-5562	1	(Spec A-G)				

* - Parts Included in Camshaft Assy.

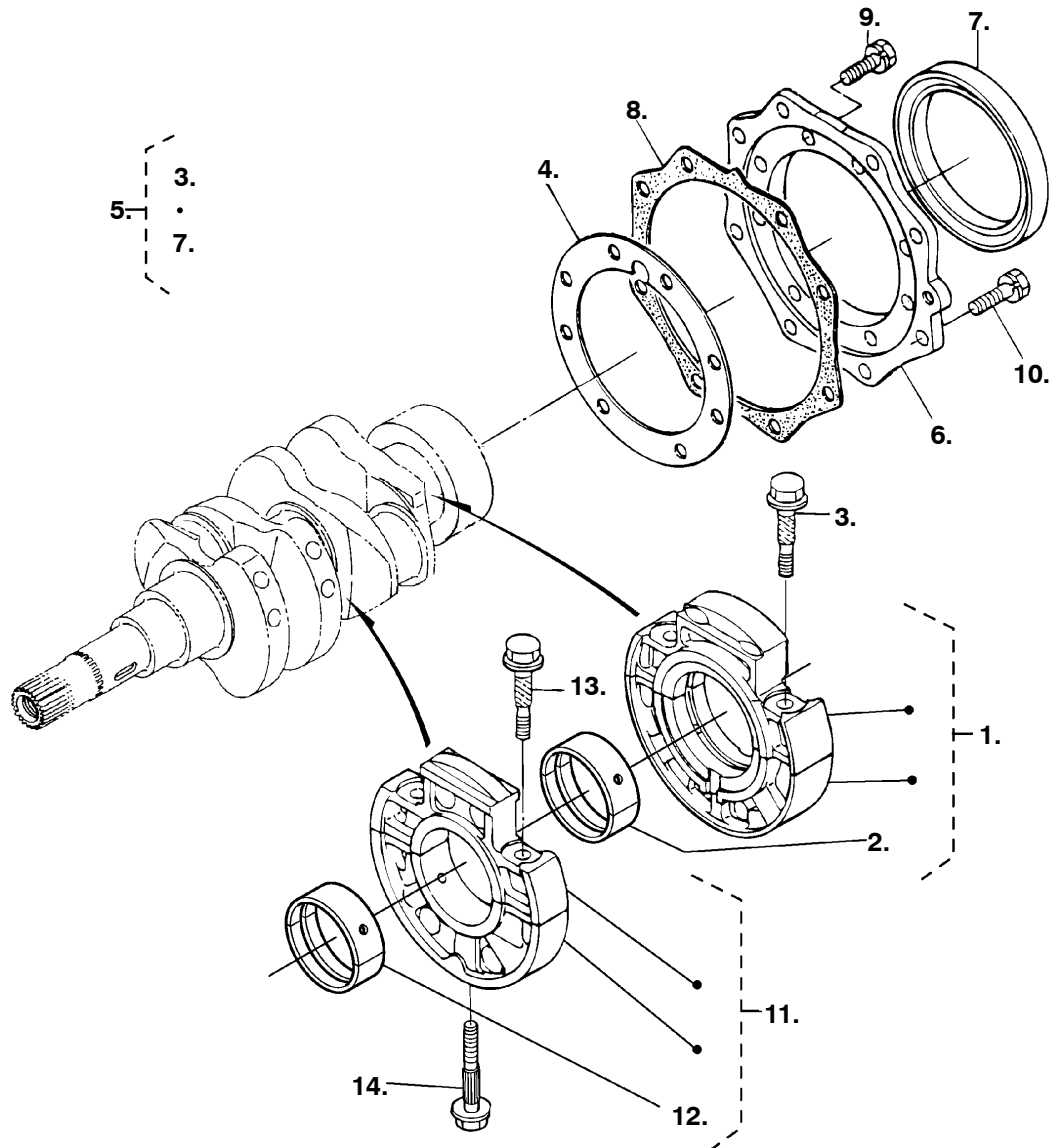
+ - Parts Included in Idle Gear Assy.

Main Bearing Case (Spec A-C)



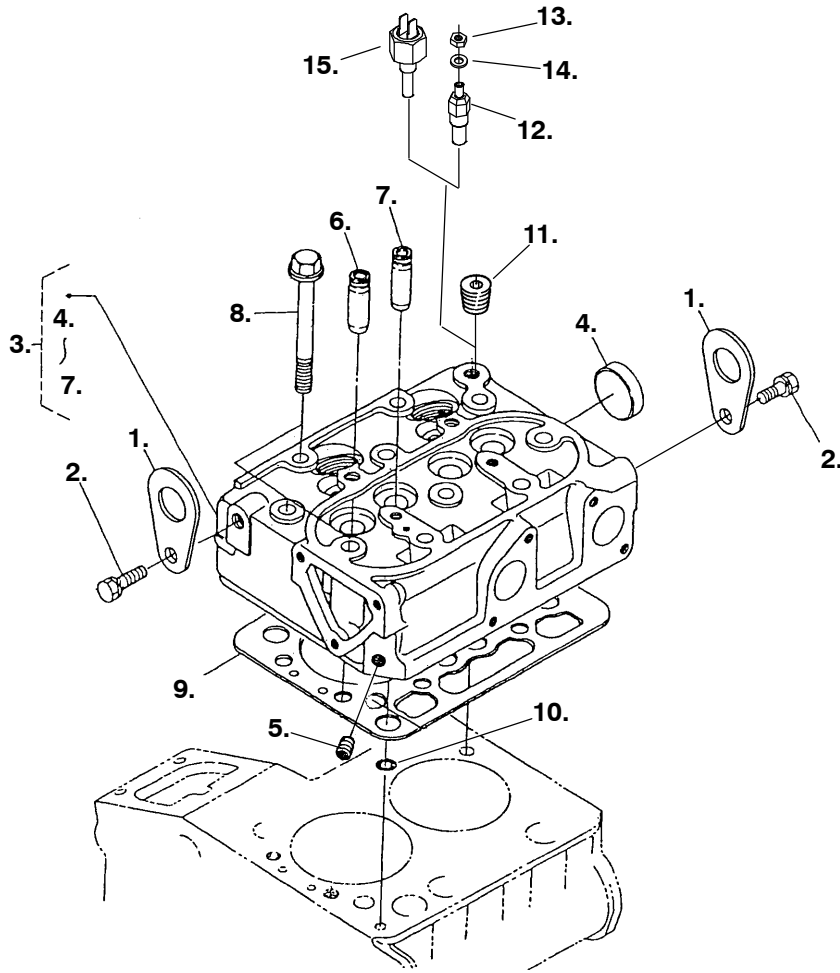
REF NO.	PART NO.	QTY USED	PART DESCRIPTION	REF NO.	PART NO.	QTY USED	PART DESCRIPTION
1.	185-7072	1	Case, Main Bearing (Includes Pins)	6.	185-7383	1	Gasket
2.	185-5575	2	Bolt, Flange	7.	185-2390	8	Bolt
3.	185-5438	1	Gasket, Bearing Case Spec A-C	8.	185-2559	8	Bolt
4.	185-5516	1	Cover, Bearing Case	9.	185-5517	1	Case, Main Bearing
5.	A040R304	1	Seal, Oil	10.	185-5515	2	Bolt, Bearing Case
				11.	185-7073	1	Cover, Bearing Case
				12.	185-5519	1	Bolt, Bearing Case

Main Bearing Case (Begin Spec D)



REF NO.	PART NO.	QTY USED	PART DESCRIPTION	REF NO.	PART NO.	QTY USED	PART DESCRIPTION
1.			Case, Main Bearing (Includes Pins)		A040R304	1	(Spec D-G)
	232-4193	1	(Spec D-G)		A047P335	1	(Spec H)
	A047P305	1	(Spec H)	8.	185-7383	1	Gasket, Case Cover
2.			Bearing Main	9.	185-2390	8	Screw,
	185-5580	1	Std Set	10.	185-2559	8	Screw,
	185-2026	1	0.20mm Set	11.	232-4192	1	Case, Main Bearing
	185-5357	1	0.40mm Set	12.			Bearing ,Main
3.			Screw, Bearing Case		185-5581	1	Std Set
	185-5515	2	(Spec D-G)		185-5360	1	0.20mm Set
	A047P313	2	(Spec H)		185-5361	1	0.40mm Set
4.	185-5438	1	Gasket, Bearing Case	13.	185-5515	1	Screw, Bearing Case
5.	185-7073	1	Cover, Bearing Case	14.	185-5519	1	Bolt, Bearing Case
6.	185-5516	1	Cover, Bearing Case	15.	A047P327	2	Pin, Straight
7.			Seal ,Oil				

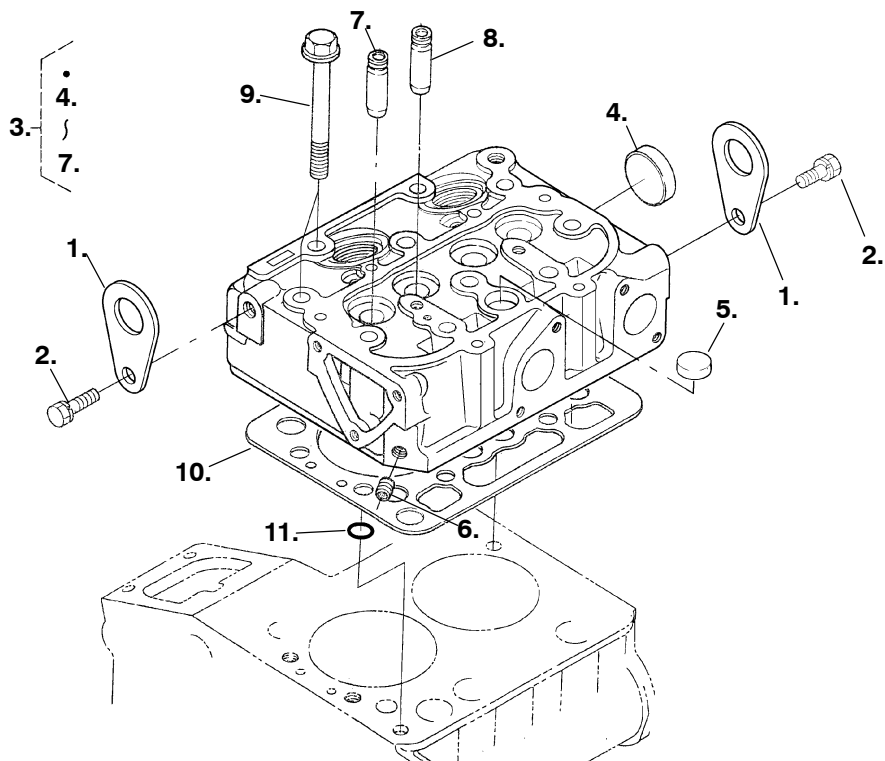
Cylinder Head (Spec A-B)



REF NO.	PART NO.	QTY USED	PART DESCRIPTION	REF NO.	PART NO.	QTY USED	PART DESCRIPTION
1.	185-2414	2	Hook, Engine	11.	185-5502	1	Plug
2.	185-2363	2	Bolt	12.	193-0318	1	Sender, Water Temperature (Includes Nut and Washer)
3.	184-0024	1	Head, Cylinder (Includes Cap, Plug and Guides)	13.	871-0010	1	Nut, Hex Brass (10-32)
4.	185-2411	1	Cap, Sealing	14.	526-0049	1	Washer, Brass Flat (#10) (Standard Ground)
5.	185-2188	1	Plug	15.	193-0491	1	*Sender, Water Temperature
6.	185-5500	2	Guide, Inlet Valve				
7.	185-5501	2	Guide, Exhaust Valve				
8.	185-5503	1	Bolt, Cylinder Head				
9.	184-0025	1	Gasket, Cylinder Head				
10.	185-2095	1	O'Ring				

* - Part Included in Isolated Ground Kit Listed on Relay
(Isolated Ground) Page.

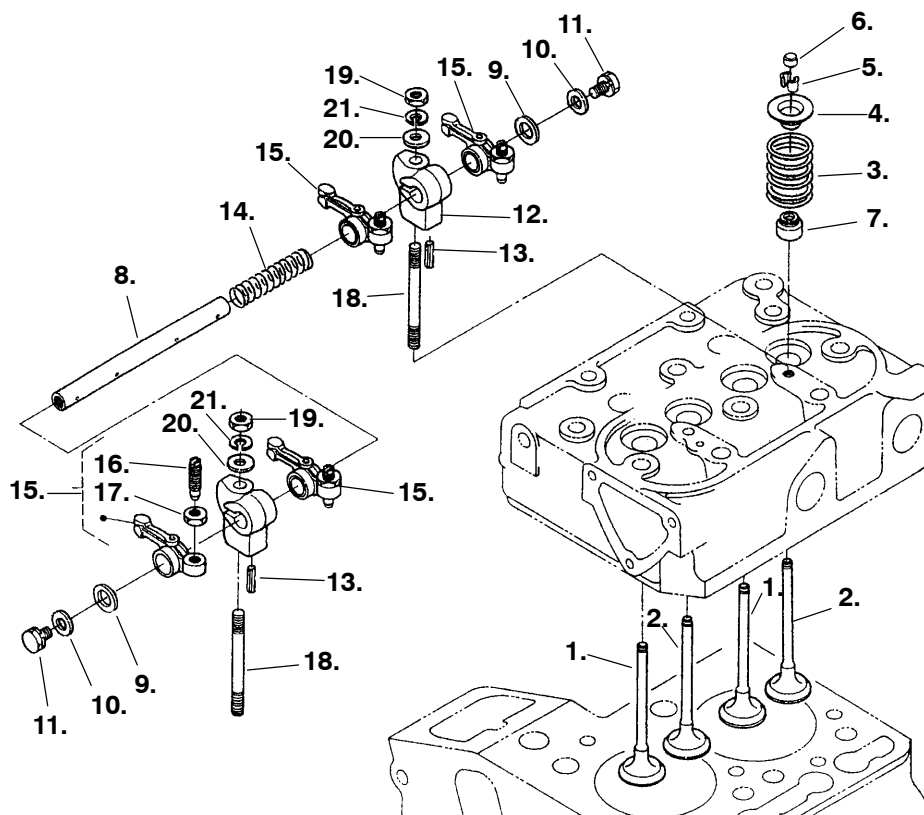
Cylinder Head (Begin Spec C)



REF NO.	PART NO.	QTY USED	PART DESCRIPTION	REF NO.	PART NO.	QTY USED	PART DESCRIPTION
1.	185-2414	2	Hook, Engine	8.	185-5501	2	Guide, Exhaust Valve
2.	185-2563	2	Bolt	9.	185-5503	10	Bolt, Cylinder Head
3.	181-9243	1	Head, Cylinder (Includes Cap, Plug and Guides)	10.	185-5339	1	Gasket, Cylinder Head (Spec C-G)
	110-4095	1	Spec C-G		A047P276	1	(Spec H)
	A047P273	1	(Spec H)	11.	185-2095	1	O'Ring (Spec A-C)
4.	185-2411	1	Cap, Sealing				
5.	185-2413	1	Cap, Sealing				
6.	185-2188	1	Plug				
7.	185-5500	2	Guide, Inlet Valve				

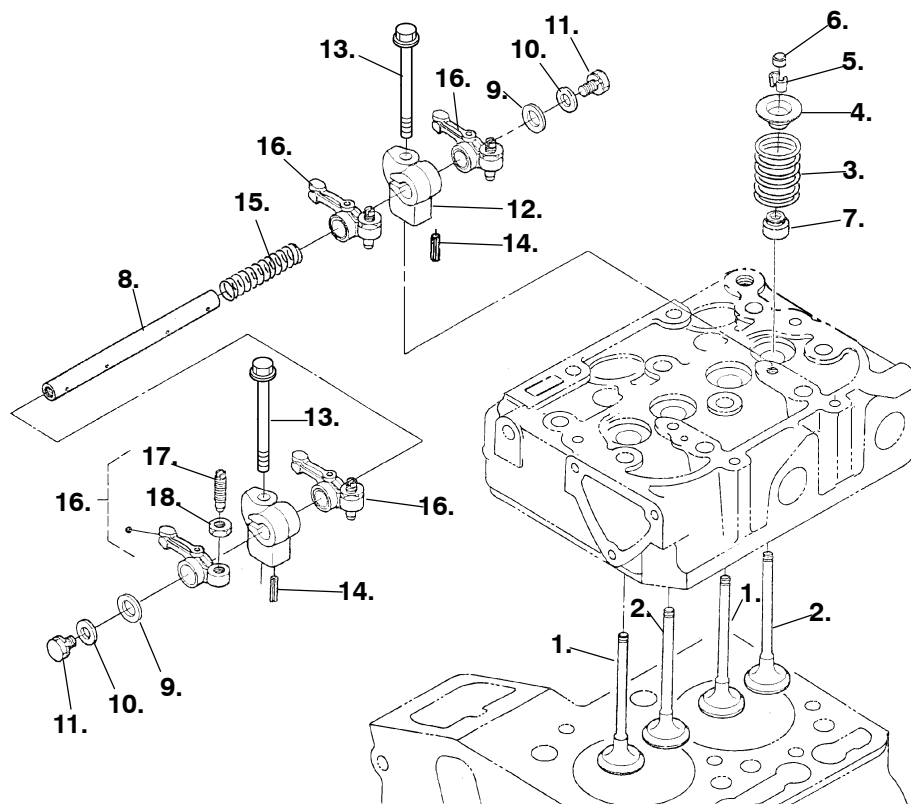
* - Part Included in Isolated Ground Kit Listed on Relay (Isolated Ground) Page.

Rocker Arm (Spec A-B)



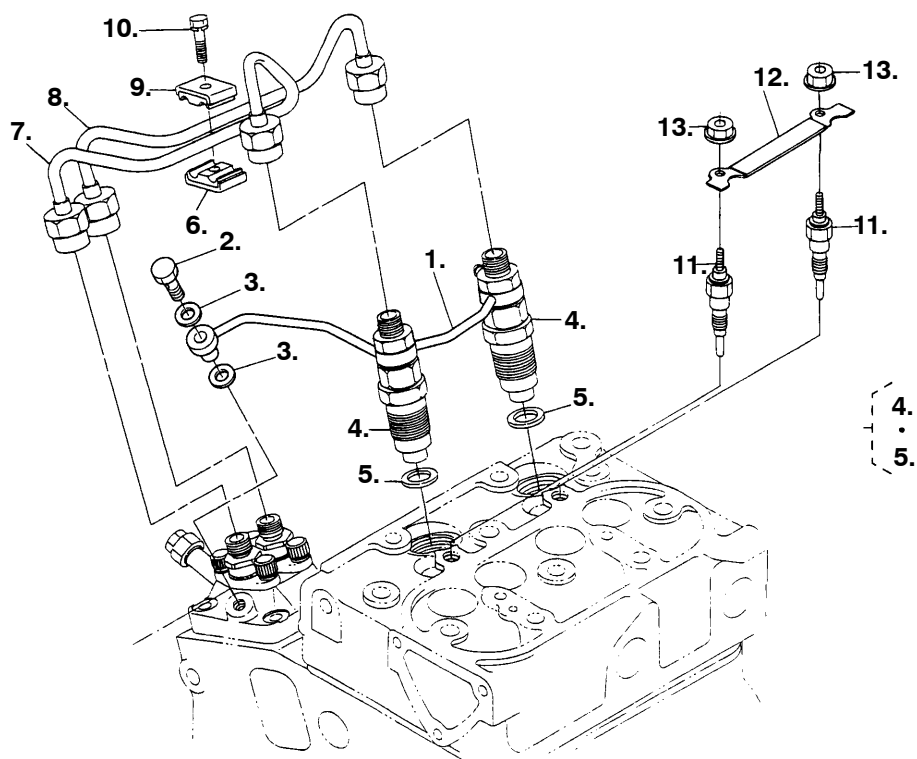
REF NO.	PART NO.	QTY USED	PART DESCRIPTION	REF NO.	PART NO.	QTY USED	PART DESCRIPTION
1.	185-5537	2	Valve, Inlet	12.	185-5546	2	Bracket, Rocker Arm
2.	185-5538	2	Valve, Exhaust	13.	185-2351	2	Pin, Spring
3.	185-5539	4	Spring, Valve	14.	185-5550	1	Spring, Rocker Arm
4.	185-5540	4	Retainer, Spring	15.	185-5551	4	Arm Assy, Rocker
5.	185-5541	4	Collet, Valve Spring	16.	185-5552	4	Screw, Adjusting
6.	185-5542	4	Cap, Valve	17.	185-5553	4	Nut
7.	185-5348	4	Seal, Valve Stem	18.	185-5547	2	Stud
8.	185-7394	1	Shaft, Rocker Arm	19.	185-4255	2	Nut
9.	185-7086	2	Washer	20.	740-1004	2	Washer, Plain
10.	185-7395	2	Washer, Plain	21.	185-2380	2	Washer, Spring
11.	185-2386	2	Bolt				

Rocker Arm (Begin Spec C)



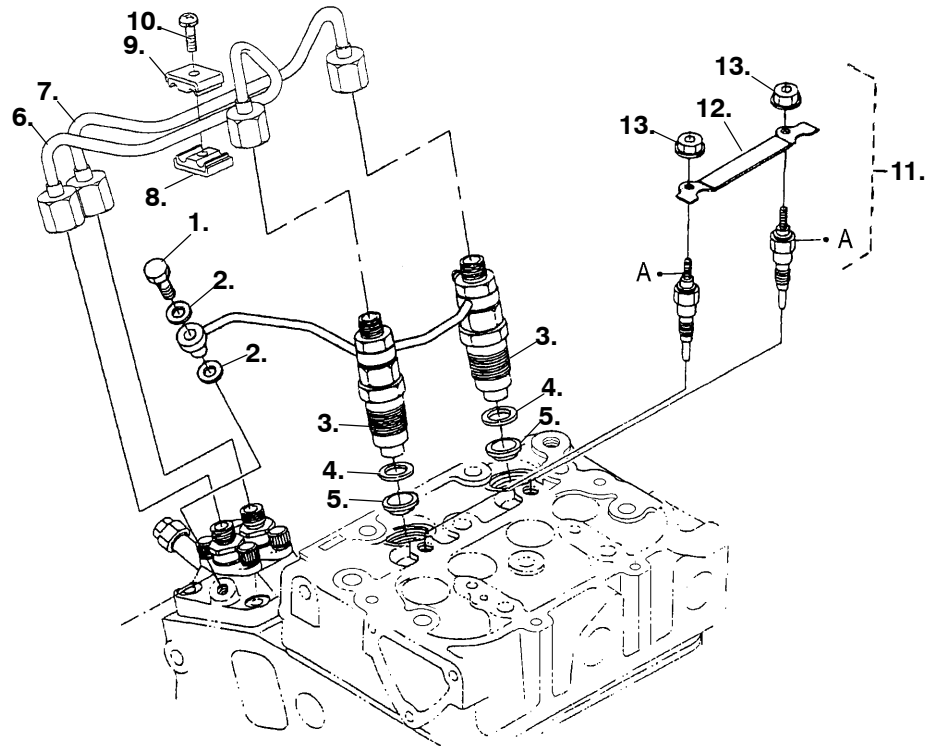
REF NO.	PART NO.	QTY USED	PART DESCRIPTION	REF NO.	PART NO.	QTY USED	PART DESCRIPTION
1.	185-5537	2	Valve, Inlet	8.	185-7394	1	Shaft, Rocker Arm
	110-3990	2	Spec C	9.	185-7086	2	Washer
			Begin Spec D	10.	185-7395	2	Washer, Plain
2.	185-5538	2	Valve, Exhaust	11.	185-2386	2	Bolt
	110-3991	2	Spec C	12.	181-9251	2	Bracket, Rocker Arm
			Begin Spec D	13.	181-9012	2	Screw, Flange Head
3.	185-5539	4	Spring, Valve	14.	185-2351	2	Pin, Spring
4.	185-5540	4	Retainer, Spring	15.	185-5550	1	Spring, Rocker Arm
5.	185-5541	4	Collet, Valve Spring	16.	185-5551	4	Arm Assy, Rocker
6.	185-5542	4	Cap, Valve	17.	185-5552	4	Screw, Adjusting
7.	185-5348	4	Seal, Valve Stem	18.	185-5553	4	Nut

Nozzle Holder (Spec A-B)



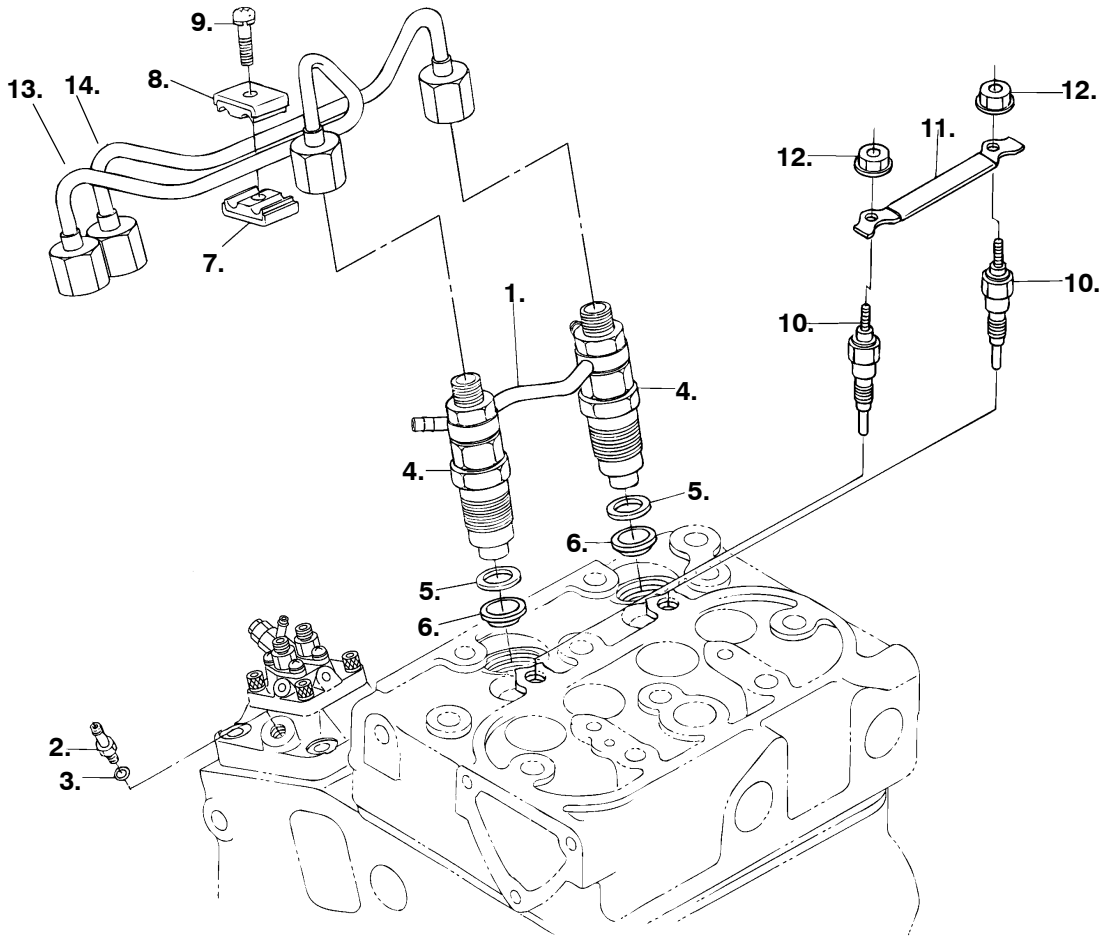
REF NO.	PART NO.	QTY USED	PART DESCRIPTION	REF NO.	PART NO.	QTY USED	PART DESCRIPTION
	184-0035	1	Kit, Nozzle Holder (Includes Nozzle Holder and Gasket)	7.	184-0041	1	Pipe, Injection
1.	184-0062	1	Pipe Assy, Overflow	8.	184-0042	1	Pipe, Injection
2.	185-7082	1	Screw, Air Bleeder	9.	185-2345	1	Clamp, Top Pipe
3.	185-2284	2	Gasket	10.	185-2385	1	Screw, Pan Head Machine
4.	185-6738	2	Holder, Nozzle	11.	185-5421	2	Plug, Glow (HR5)
5.	185-5337	2	Gasket	12.	185-5614	1	Cord, Glow Plug
6.	185-5612	1	Clamp, Bottom Pipe	13.	185-5612	2	Nut, Flange

Nozzle Holder (Spec C)



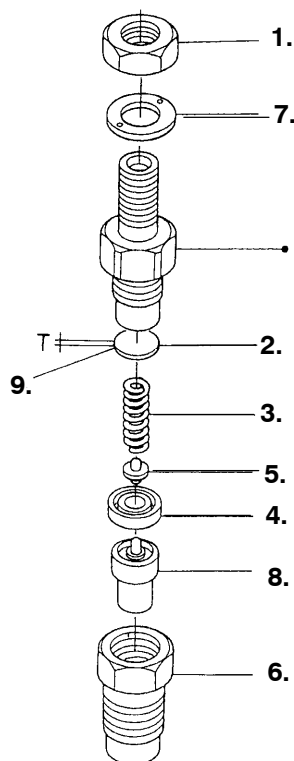
REF NO.	PART NO.	QTY USED	PART DESCRIPTION	REF NO.	PART NO.	QTY USED	PART DESCRIPTION
	A055G951	1	Kit, Nozzle Holder (Includes Nozzle Holder and Gasket)	7.	181-9168	1	Pipe, Injection
1.	185-7082	1	Screw, Air Bleeder	8.	185-5612	1	Clamp, Bottom Pipe
2.	185-2284	2	Gasket	9.	185-2345	1	Clamp, Top Pipe
3.	185-6738	2	Holder, Nozzle	10.	185-2385	1	Screw, Pan Head Machine
4.	185-5337	2	Gasket	11.	185-5421	2	Plug, Glow (HR5)
5.	185-5985	2	Seal, Heat	12.	185-5614	2	Cord, Glow Plug
6.	181-9167	1	Pipe, Injection	13.	185-5615	2	Nut, Flange

Nozzle Holder (Begin Spec D)



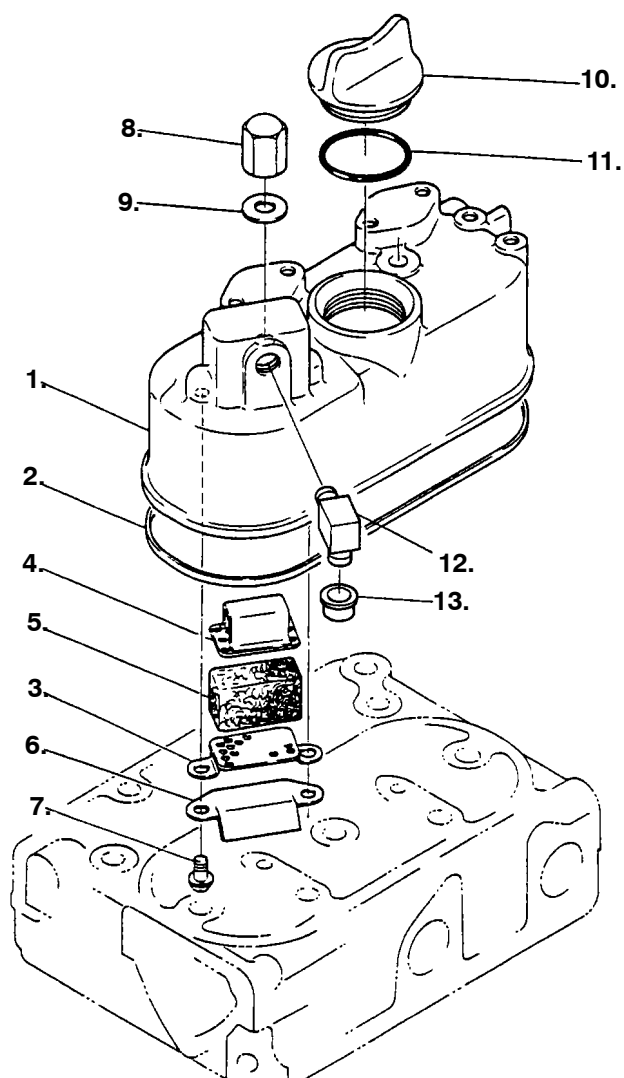
REF NO.	PART NO.	QTY USED	PART DESCRIPTION	REF NO.	PART NO.	QTY USED	PART DESCRIPTION
	A055G951	2	Kit, Nozzle Holder (Includes Nozzle Holder and Gasket)	7.	185-5612	1	Clamp, Bottom Pipe
1.	181-9232	1	Pipe Assy, Overflow	8.	185-2345	1	Clamp, Top Pipe
2.	185-7082	1	Screw, Air Bleeder	9.	185-2385	1	Screw, Pan Head Machine
3.	185-2284	2	Gasket	10.	185-5421	2	Plug, Glow (HR5)
4.	185-6738	2	Holder, Nozzle	11.	185-5614	2	Cord, Glow Plug
5.	185-5337	2	Gasket	12.	185-5615	2	Nut, Flange
6.	185-5985	2	Seal, Heat	13.	501-1118	1	Pipe, Injection
				14.	501-1119	1	Pipe, Injection

Nozzle Holder Components



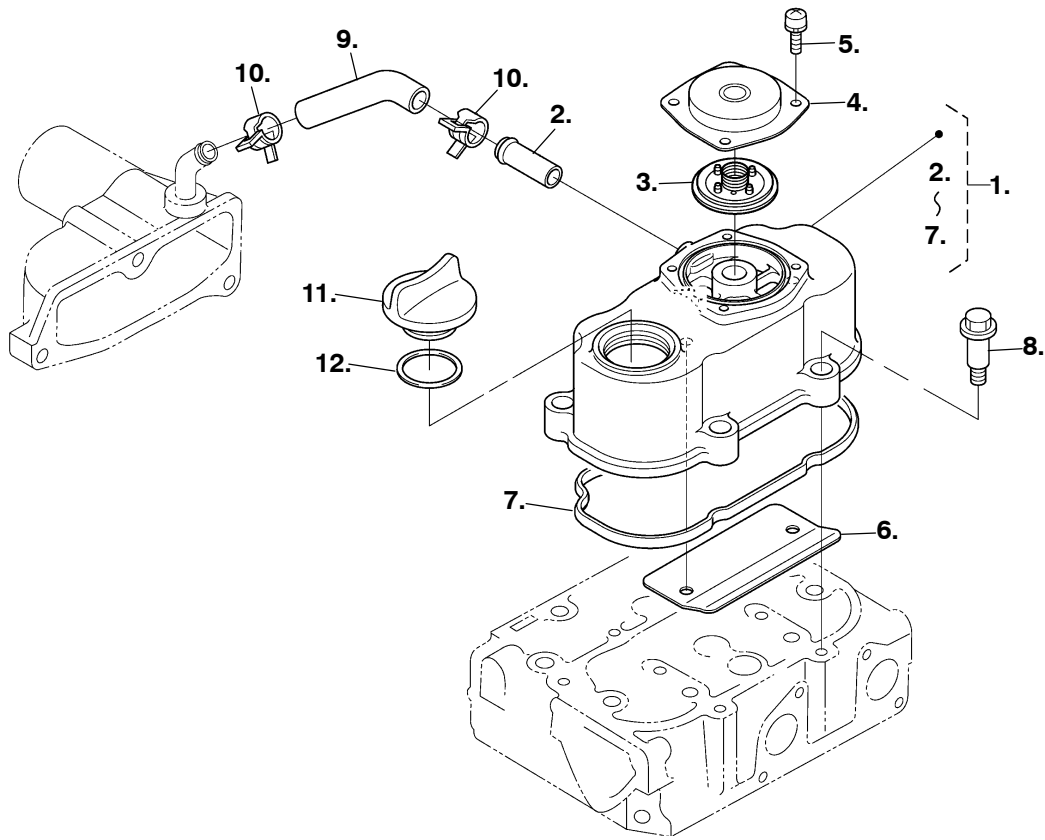
REF NO.	PART NO.	QTY USED	PART DESCRIPTION	REF NO.	PART NO.	QTY USED	PART DESCRIPTION
	A055G951	1	Holder Assy, Nozzle		185-5381	2	1.325 mm
1.	185-5616	2	Nut, Hex		185-5382	2	1.350 mm
2.	185-5364	2	Washer, Adjusting		185-5383	2	1.375 mm
3.	185-5617	2	Spring		185-5384	2	1.400 mm
4.	185-5618	2	Spacer		185-5385	2	1.425 mm
5.	185-5619	2	Rod, Push		185-5386	2	1.450 mm
6.	185-6825	2	Nut, Nozzle		185-5387	2	1.475 mm
7.	185-5621	2	Washer		185-5388	2	1.500 mm
8.	185-5622	2	Nozzle		185-5389	2	1.525 mm
9.	185-5363	2	Washer Assy, Adjusting		185-5390	2	1.550 mm
			(Includes all of the following:		185-5391	2	1.575 mm
	185-5364	2	0.900 mm		185-5392	2	1.600 mm
	185-5365	2	0.925 mm		185-5393	2	1.625 mm
	185-5366	2	0.950 mm		185-5394	2	1.650 mm
	185-5367	2	0.975 mm		185-5395	2	1.675 mm
	185-5368	2	1.000 mm		185-5396	2	1.700 mm
	185-5369	2	1.025 mm		185-5397	2	1.725 mm
	185-5370	2	1.050 mm		185-5398	2	1.750 mm
	185-5371	2	1.075 mm		185-5399	2	1.775 mm
	185-5372	2	1.100 mm		185-5400	2	1.800 mm
	185-5373	2	1.125 mm		185-5401	2	1.825 mm
	185-5374	2	1.150 mm		185-5402	2	1.850 mm
	185-5375	2	1.175 mm		185-5403	2	1.875 mm
	185-5376	2	1.200 mm		185-5404	2	1.900 mm
	185-5377	2	1.225 mm		185-5405	2	1.925 mm
	185-5378	2	1.250 mm		185-5406	2	1.950 mm
	185-5379	2	1.275 mm				
	185-5380	2	1.300 mm				

Cylinder Head Cover (Spec A-B)



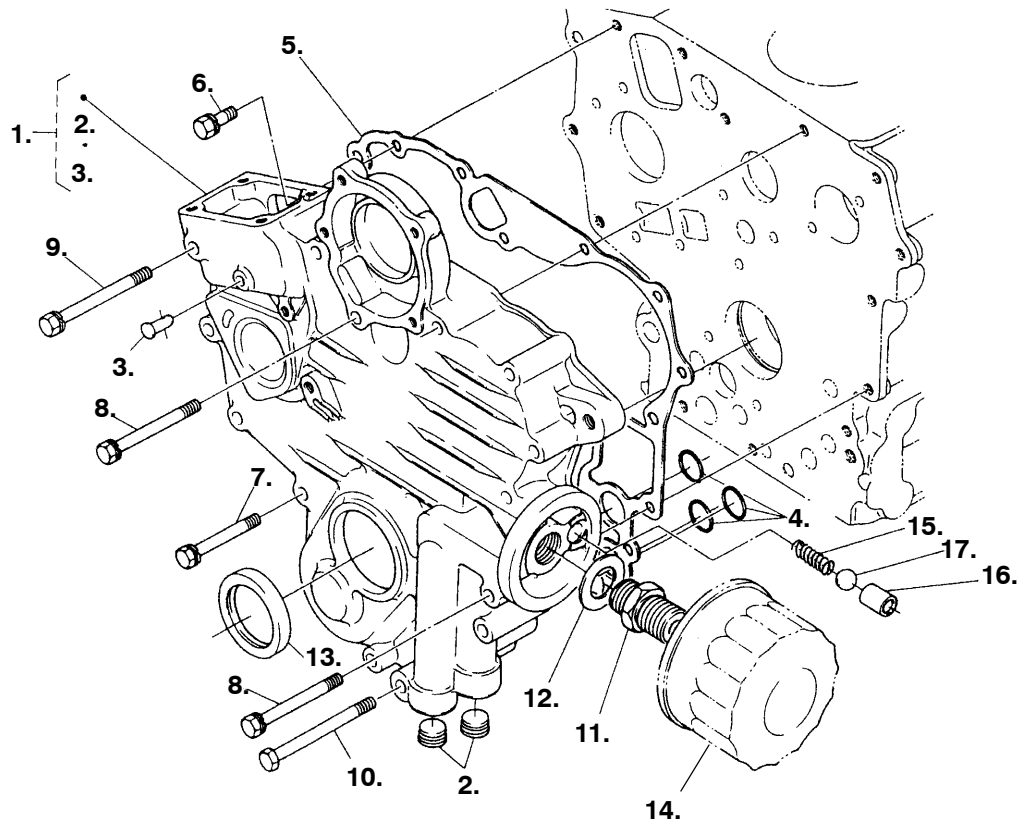
REF NO.	PART NO.	QTY USED	PART DESCRIPTION	REF NO.	PART NO.	QTY USED	PART DESCRIPTION
1.	185-5527	1	Cover, Cylinder Head	8.	185-5529	1	Nut
2.	185-5528	1	Gasket, Cylinder Head Cover	9.	185-2284	1	Gasket
3.	185-5521	1	Plate, Breather Element	10.	185-5407	1	Cover, Oil Fill
4.	185-5522	1	Plate, Breather Element	11.	185-7426	1	O'Ring
5.	185-5523	1	Element, Breather	12.	184-0065	1	Joint
6.	185-5524	1	Shield, Breather Oil	13.	185-6981	1	Cap
7.	185-5747	2	Screw				

Cylinder Head Cover (Begin Spec C)



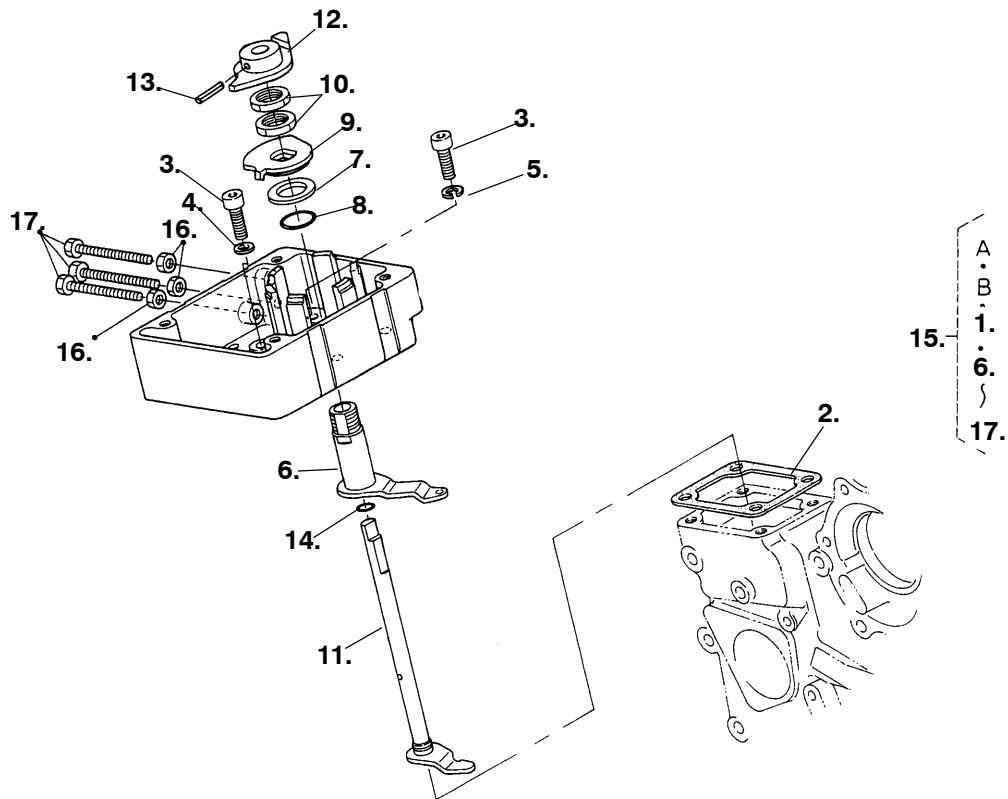
REF NO.	PART NO.	QTY USED	PART DESCRIPTION	REF NO.	PART NO.	QTY USED	PART DESCRIPTION
1.	181-9245	1	Cover, Cylinder Head	6.	181-9248	1	Shield, Breather (Spec C)
2.	185-5716	1	Pipe, Water Return	7.	181-9246	1	Gasket, Rocker Cover
3.	181-9240	1	Comp. Valve Breather Spec C	8.	800-6330	4	Bolt
	123-2264	1	Begin Spec D	9.	123-2351	1	Tube, Breather (Spec C-G)
4.	181-9239	1	Cover, Breather Spec C		A040R302	1	(Spec H)
	181-9238	1	Begin Spec D	10.	503-1445-04	2	Clamp, Hose
5.	185-2384	4	Screw, with Washer	11.	181-9000	1	Plug, Oil Filler
				12.	185-7426	1	O'Ring

Gearcase



REF NO.	PART NO.	QTY USED	PART DESCRIPTION	REF NO.	PART NO.	QTY USED	PART DESCRIPTION
1.			Gearcase (Includes Plugs and Pin)	8.	185-5507	5	Bolt
	184-0043	1	Spec A-C	9.			Bolt
	103-0843	1	Begin Spec D		185-2397	1	Begin Spec D
2.	185-2234	2	Plug	10.	185-2398	1	Bolt
3.	185-5506	1	Pin, Start Spring	11.	185-2124	1	Joint, Pipe
4.	184-0015	3	O'Ring (Spec A-C)	12.	185-5508	1	Washer, Plain
5.			Gasket, Gearcase	13.	185-5410	1	Seal, Oil
	185-7382	1	Spec A-C	14.	185-7444		Filter, Oil
	103-0860	1	Begin Spec D	15.	185-5509	1	Spring
6.	185-2389	1	Bolt	16.	185-5510	1	Seat, Valve
7.	185-7069	8	Bolt	17.	185-6711	1	Ball

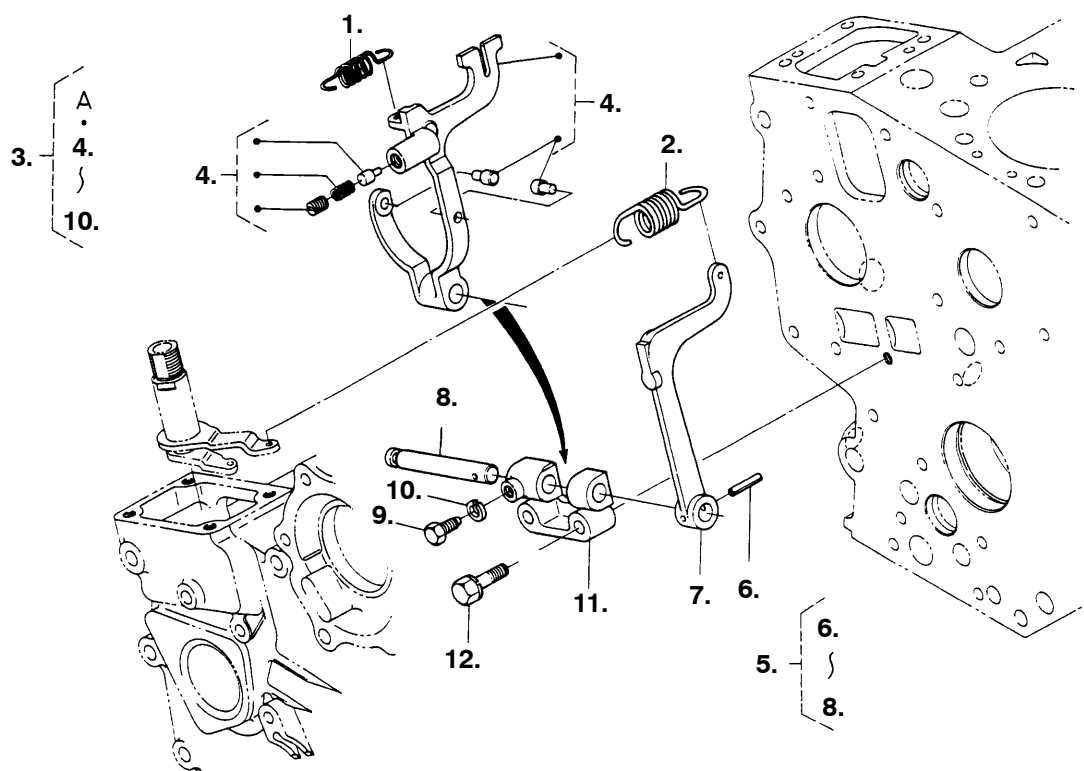
Speed Control Plate



REF NO.	PART NO.	QTY USED	PART DESCRIPTION	REF NO.	PART NO.	QTY USED	PART DESCRIPTION
1.	184-0055	1	*Plate, Speed Control	12.	184-0059	1	*Lever, Engine Stop
2.	A040P262	1	Gasket	13.	185-5696	1	*Pin, Spring
3.	184-0013	4	Screw, Hex Head Cap W/Lock Washer (M6 x 18mm)	14.	184-0017	1	*O'Ring
4.	185-6759	2	Washer, Spring	15.	185-7267	1	Plate Assy, Speed Control
5.	185-2284	2	Gasket	16.	185-4255	3	Nut
6.	185-6939	1	*Lever, Governor	17.	181-9205	3	Screw
7.	184-0057	1	*Collar				
8.	184-0019	1	*O'Ring				
9.	184-0056	1	*Lever, Speed Control (Includes Parts Marked *)				
10.	185-5693	2	*Nut, Jam Hex				
11.	184-0060	1	*Shaft, Lever				

* - Parts Included in Speed Control Plate Assy.

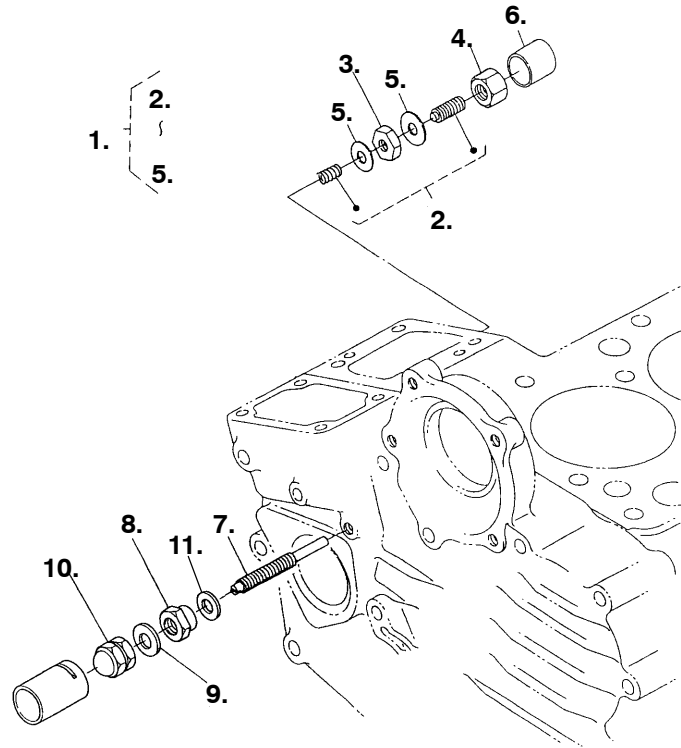
Fork Lever



REF NO.	PART NO.	QTY USED	PART DESCRIPTION	REF NO.	PART NO.	QTY USED	PART DESCRIPTION
1.	185-5698	1	Spring, Start	7.	185-5702	1	*Lever, Outer Fork
2.	184-0054	1	Spring, Governor	8.	185-5703	1	*Shaft
3.	150-2996	1	Lever Assy, Fork (Includes Parts Marked *)	9.	181-9039	1	*Bolt
4.	181-9203	1	*Lever, Inner Fork	10.	185-6999	1	*Washer, Spring Lock
5.	185-5701	1	*Lever Assy, Outer Fork (Includes Pin, Fork Lever, and Shaft)	11.	185-5704	1	Holder, Fork Lever
6.	185-5696	1	*Pin, Spring	12.	185-2393	2	Bolt

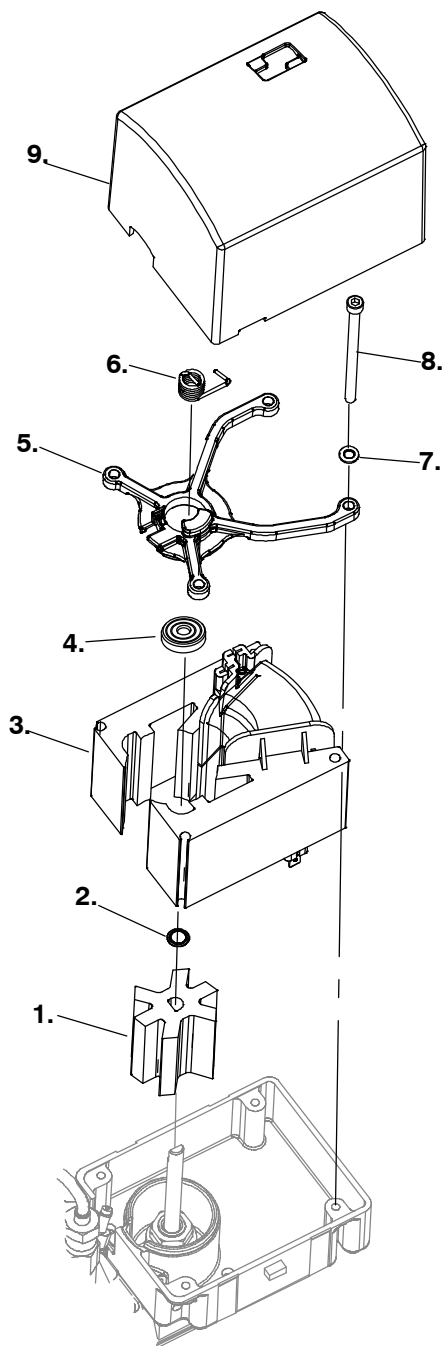
* - Parts Included in Fork Lever Assy.

Engine Stop Lever



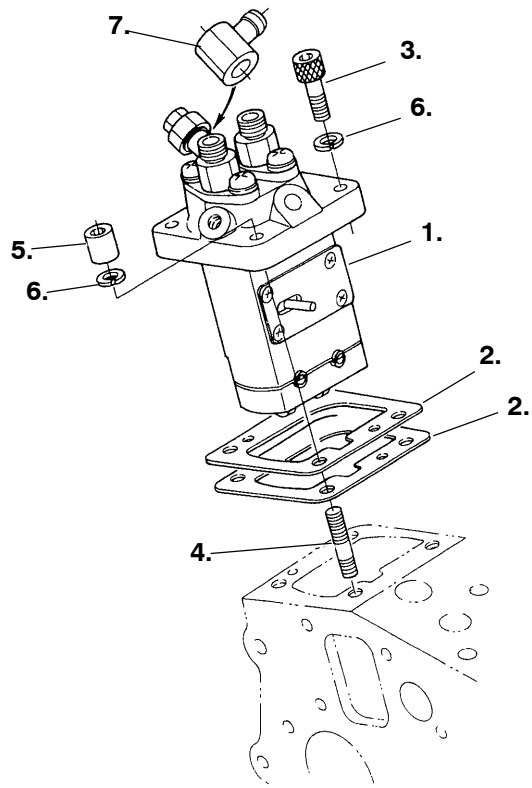
REF NO.	PART NO.	QTY USED	PART DESCRIPTION	REF NO.	PART NO.	QTY USED	PART DESCRIPTION
1.		1	Apparatus Assy, Idle (Includes Bolt, Nuts and Gaskets)	6.	185-5682	1	Cap
2.	185-5680	1	Bolt Assy, Adjusting	7.	185-7078	1	Bolt, Adjusting
3.	185-2180	1	Nut	8.	185-5684	1	Nut
4.	185-5681	1	Nut	9.	185-2284	2	Gasket
5.	185-2338	2	Gasket	10.	185-6931	1	Nut
				11.	185-7313	1	Gasket

Governor



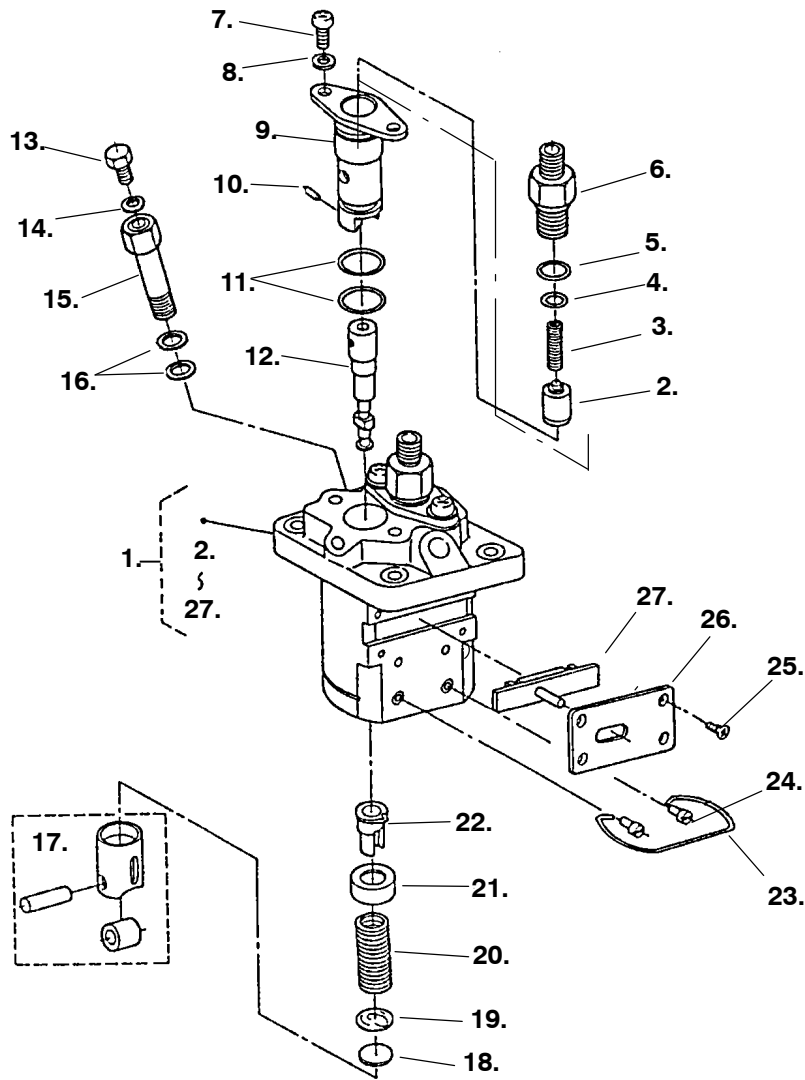
REF NO.	PART NO.	QTY USED	PART DESCRIPTION	REF NO.	PART NO.	QTY USED	PART DESCRIPTION
1.	150-2639	1	Rotor, Governor	6.	150-2724	1	Spring, Governor
2.	518-0672	1	Ring, Retainer	7.	740-1002	4	Washer, Flat (M5)
3.	150-2630	1	Stator	8.	815-0877	4	Screw, Socket Head Cap
4.	510-0184	1	Bearing, Ball	9.	150-2641	1	Cover, Governor
5.	150-2643-S0	1	Carrier (Includes Carrier and Ball Bearing)				

Injection Pump (Spec A-B)



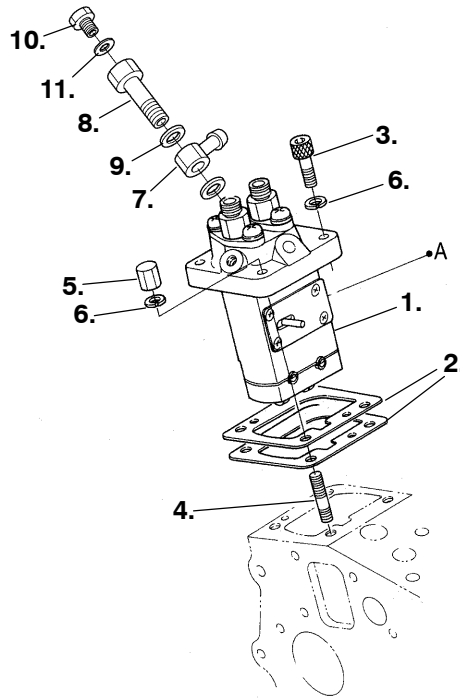
REF NO.	PART NO.	QTY USED	PART DESCRIPTION	REF NO.	PART NO.	QTY USED	PART DESCRIPTION
1.	181-9080	1	Pump Assy, Injection	3.	185-5623	3	Bolt, Hex Socket Head
2.			Shim, Injection Pump	4.	185-5624	1	Stud
	185-6735	1	0.20mm	5.	185-5625	1	Nut
	185-6736	1	0.25mm	6.	185-6759	4	Washer, Spring
	185-6737	1	0.30mm	7.	185-5626	1	Joint, Eye

Injection Pump Components



REF NO.	PART NO.	QTY USED	PART DESCRIPTION	REF NO.	PART NO.	QTY USED	PART DESCRIPTION
1.	181-9080	1	Pump Assy, Injection	15.	185-5660	1	Screw, Follow
2.	185-5639	2	Valve, Delivery	16.	185-5661	1	O'Ring
3.	185-5640	2	Spring, Delivery Valve	17.	185-5649	2	Tappet
4.	185-5641	2	Gasket, Delivery Valve	18.	185-5655	2	Shim
5.	185-5643	2	O'Ring	19.	185-5654	2	Seat, Lower Spring
6.	185-5642	2	Holder, Delivery Valve	20.	185-5652	2	Spring, Plunger
7.	185-5647	4	Screw, Round Head Machine	21.	185-5653	2	Seat, Upper Spring
8.	185-5648	4	Washer	22.	185-5659	2	Sleeve, Control
9.	185-5644	2	Flange, Sleeve	23.	185-5651	1	Wire, Retainer
10.	185-5645	2	Pin, Joint	24.	185-5650	2	Pin
11.	185-5646	4	O'Ring	25.	185-5658	4	Screw, Machine
12.	185-5485	2	Plunger, Pump	26.	185-5657	1	Plate
13.	185-5662	1	Screw	27.	185-5656	1	Rack, Control
14.	185-5663	1	Gasket				

Injection Pump (Begin Spec C)

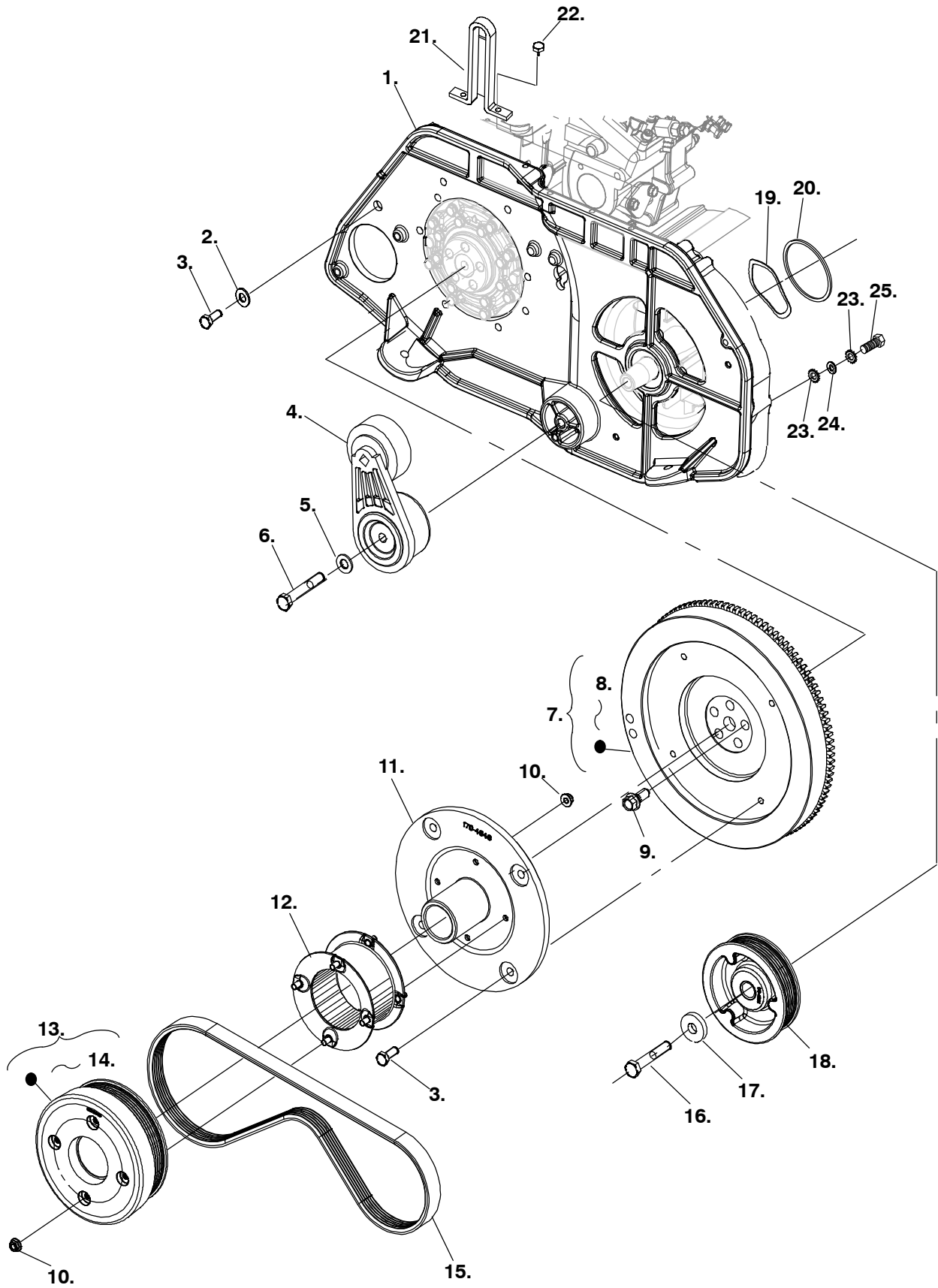


REF NO.	PART NO.	QTY USED	PART DESCRIPTION	REF NO.	PART NO.	QTY USED	PART DESCRIPTION
1.	181-9080	1	Pump Assy, Injection (Spec C-G)	4.	185-5624	1	Stud
	A047P603	1	(Spec H)	5.	185-5625	1	Nut
2.	147-0981	1	Shim, Injection Pump 0.175mm	6.	185-6759	4	Washer, Spring (Spec C)
	185-6735	1	0.20mm	7.	185-5626	1	*Joint, Eye
	185-6736	1	0.25mm	8.	185-5660	1	*Screw, Hollow
	185-6737	1	0.30mm	9.	185-5661	1	*Gasket
	147-0980	1	0.35mm	10.	185-5662	1	*Screw
3.	185-5623	1	Bolt, Hex Socket Head Spec C	11.	185-5663	1	*Gasket
	800-6549	1	Begin Spec D				

* - Parts Included in Injection Pump Assy.

This Page Intentionally Left Blank.

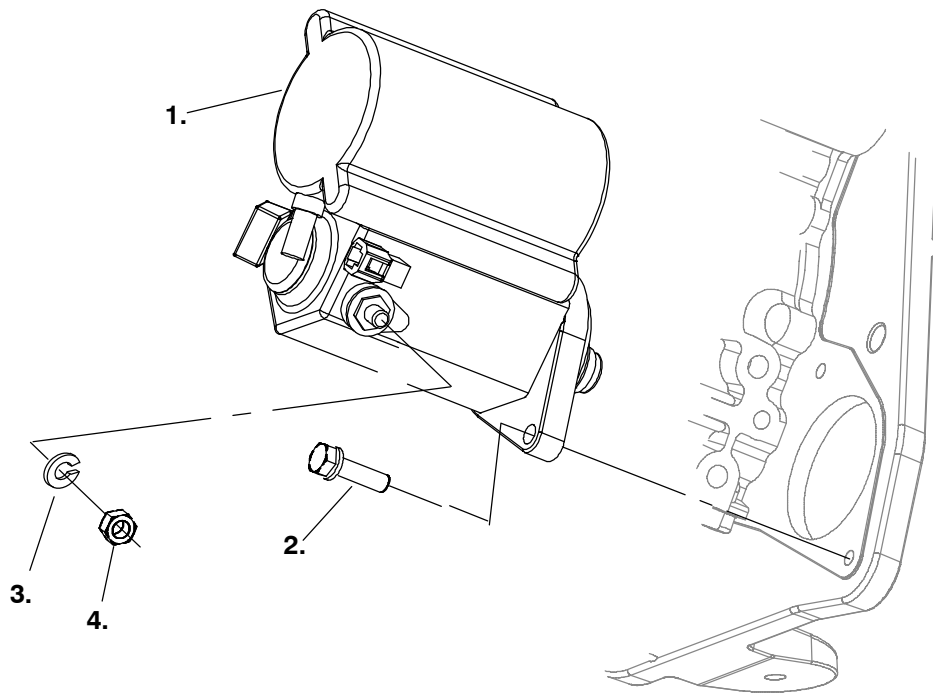
Flywheel



Flywheel

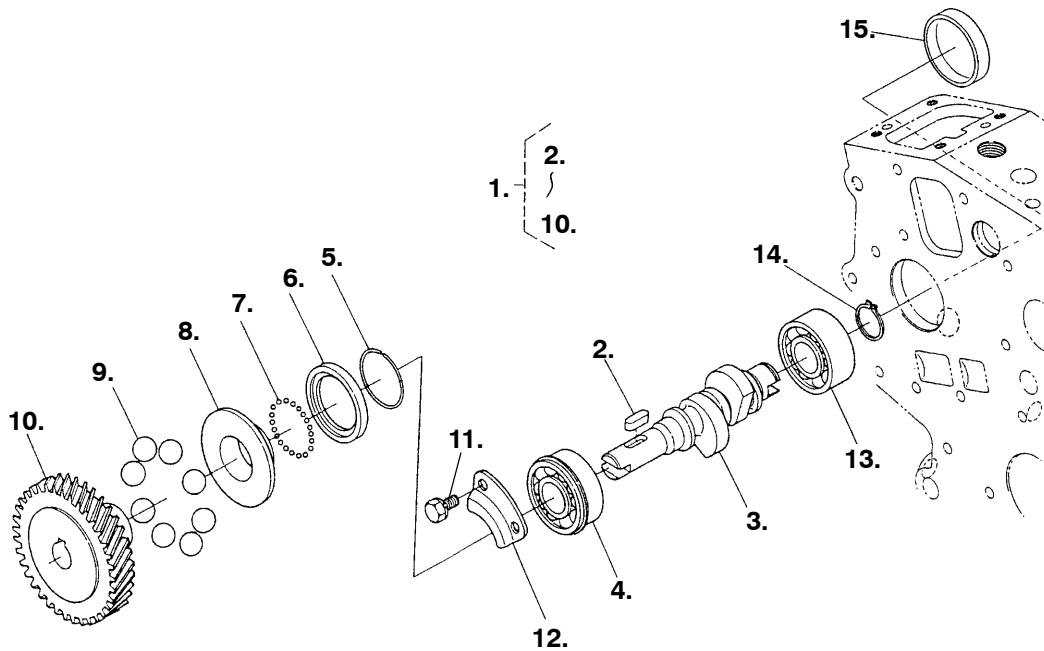
REF NO.	PART NO.	QTY USED	PART DESCRIPTION	REF NO.	PART NO.	QTY USED	PART DESCRIPTION
1.	101-0826-02	1	Adapter, Engine	15.			Belt (6 Rib)
2.	526-2100	8	Washer, Flat (M8)		511-0196	1	60Hz all Specs
3.	800-2057	12	Screw, Hex Head Cap (M8 x 1.25 x 20mm)		511-0196	1	50Hz all Spec A-C
					511-0196-02	1	50Hz Begin Spec D
4.	190-0757	1	Tensioner, Belt	16.	800-2093	1	Screw, Hex Head Cap (M10 x 1.5 x 60mm)
5.	526-2120	1	Washer, Flat (M10)				Washer, Flat
6.	815-0657	1	Screw, Hex Thread Form (3/8-16 x 2.75")	17.	526-0017	1	Pulley, Generator
7.	104-1967-01	1	Flywheel Assy (Includes Ring Gear)	18.	512-0205-01	1	60Hz all Specs
					512-0205-01	1	50Hz all Spec A-C
8.	104-1861	1	Gear, Ring		512-0399	1	50Hz Begin Spec D
9.	185-5587	5	Bolt, Flywheel	19.	851-0045	1	Washer, Wave
10.	870-2065-02	8	Nut, Hex (M6 x 1)	20.	509-0420	1	O'Ring
11.	232-4111	1	Hub, Flex Coupling	21.	403-4546-02	1	Bracket, Lifting
12.	512-0217	1	Coupling	22.	718-1020	2	Screw, Hex Head Cap (M6 x 1 x 16mm)
13.	512-0248	1	Pulley Assy, Drive (Includes Bearings)	23.	856-0006	2	Washer, ETIT Locking (1/4")
14.	512-0248	2	Bearing, Sleeve	24.	526-0045	1	Washer
				25.	800-6296-01	1	Screw, Hex Flange Head (M6 x 25mm)

Starter



REF NO.	PART NO.	QTY USED	PART DESCRIPTION
1.	191-2229	1	Starter
2.	815-0781	2	Screw, Hex Washer Head (M8 x 1.25 x 30mm)
3.	850-2008	1	Washer, Split Lock (M8)
4.	750-1006	1	Nut (M8 x 1.25mm)

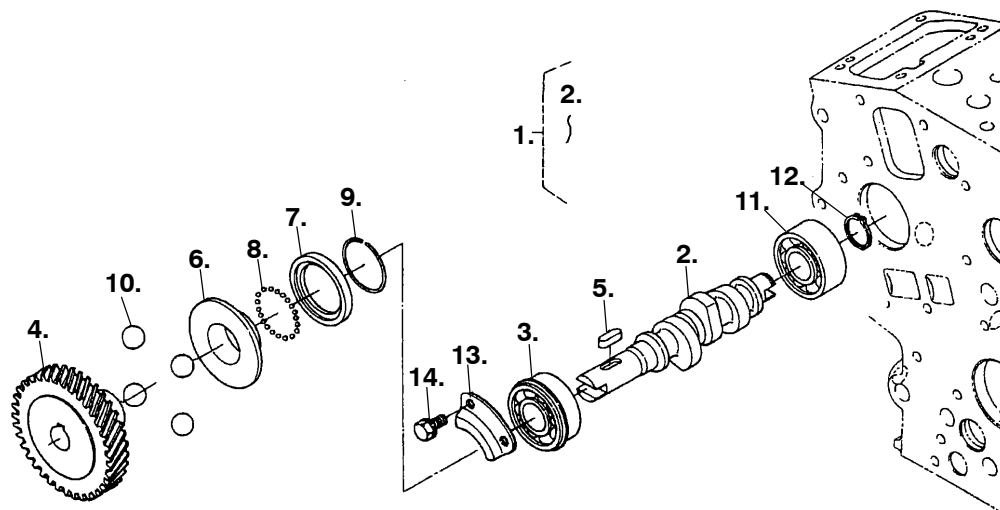
Fuel Camshaft (Spec A-B)



REF NO.	PART NO.	QTY USED	PART DESCRIPTION	REF NO.	PART NO.	QTY USED	PART DESCRIPTION
1.	184-0049	1	Camshaft Assy, Fuel (Includes Parts Marked *)	10.	185-5630	1	*Gear, Injection Pump
2.	185-2353	1	*Key, Feather	11.	185-2386	2	Bolt
3.	185-5628	1	*Camshaft, Fuel	12.	185-5635	1	Stopper, Fuel Camshaft
4.	185-5629	1	*Bearing, Ball	13.	510-0163	1	Bearing, Ball
5.	185-2163	1	*Circlip, External	14.	185-5634	1	Circlip, External
6.	185-5632	1	*Case, Governor Ball	15.	185-5489	1	Cover, Fuel Camshaft
7.	185-2357	32	*Ball				
8.	185-5631	1	*Sleeve, Governor				
9.	185-5633	8	*Ball				

* - Parts Included in Fuel Camshaft Assy.

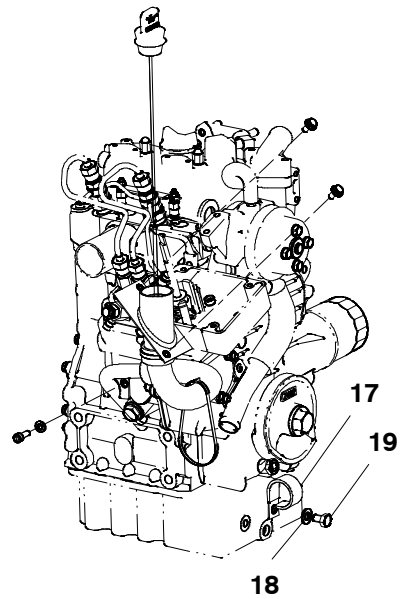
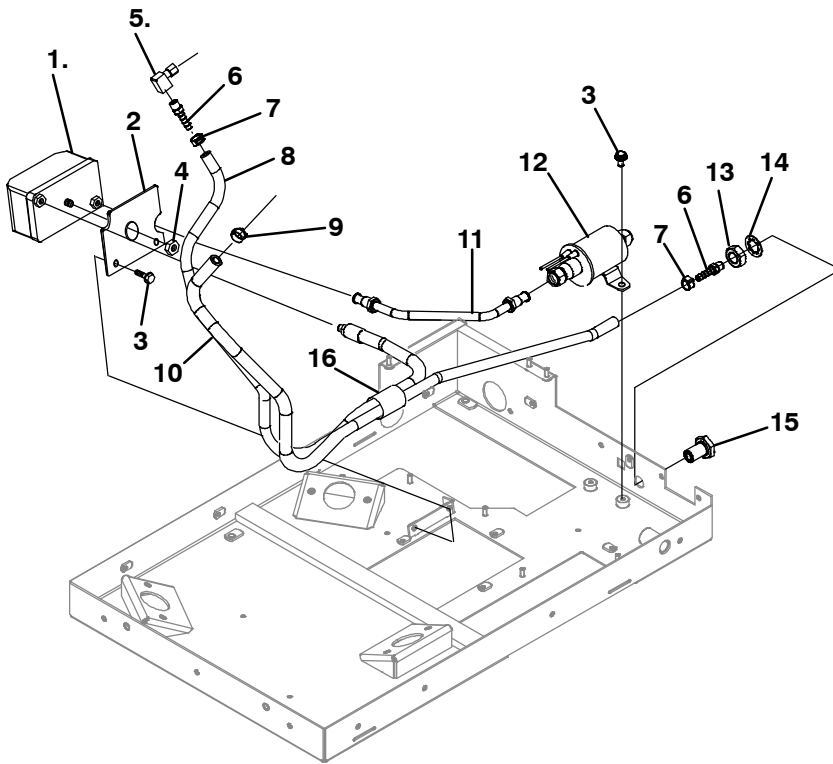
Fuel Camshaft (Begin Spec C)



REF NO.	PART NO.	QTY USED	PART DESCRIPTION	REF NO.	PART NO.	QTY USED	PART DESCRIPTION
1.			Camshaft Assy, Fuel (Includes Parts Marked *)		185-5632	1	(Spec C-G)
	184-0049	1	(Spec C-G)		A047P600	1	(Spec H)
	A047P593	1	(Spec H)	8.	185-2357	32	*Ball
2.	185-5628	1	*Camshaft, Fuel	9.	185-2163	1	*Circlip, External
3.	185-5629	1	*Bearing, Ball	10.	185-5633	8	*Ball
4.			*Gear, Injection Pump	11.	181-9182	1	Bearing, Ball
	185-5630	1	(Spec C-G)	12.	185-5634	1	Circlip, External
	A047P596	1	(Spec H)	13.	185-5635	1	Stopper, Fuel Camshaft
5.	185-2353	1	*Key, Feather	14.	185-2386	2	Bolt
6.	185-5631	1	*Sleeve, Governor				
7.			*Case, Governor Ball				

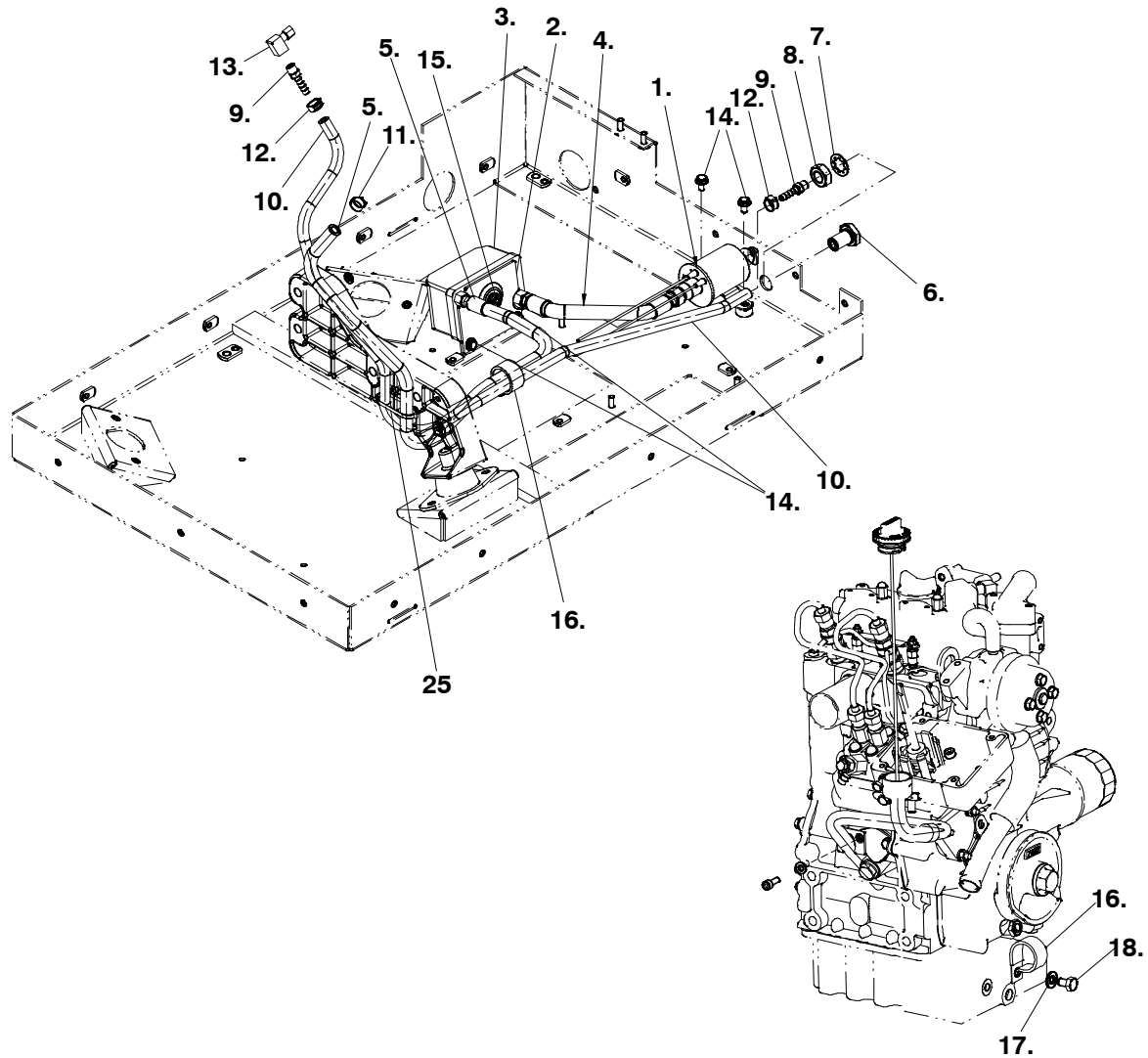
* - Parts Included in Fuel Camshaft Assy.

Fuel System (Spec A-D)



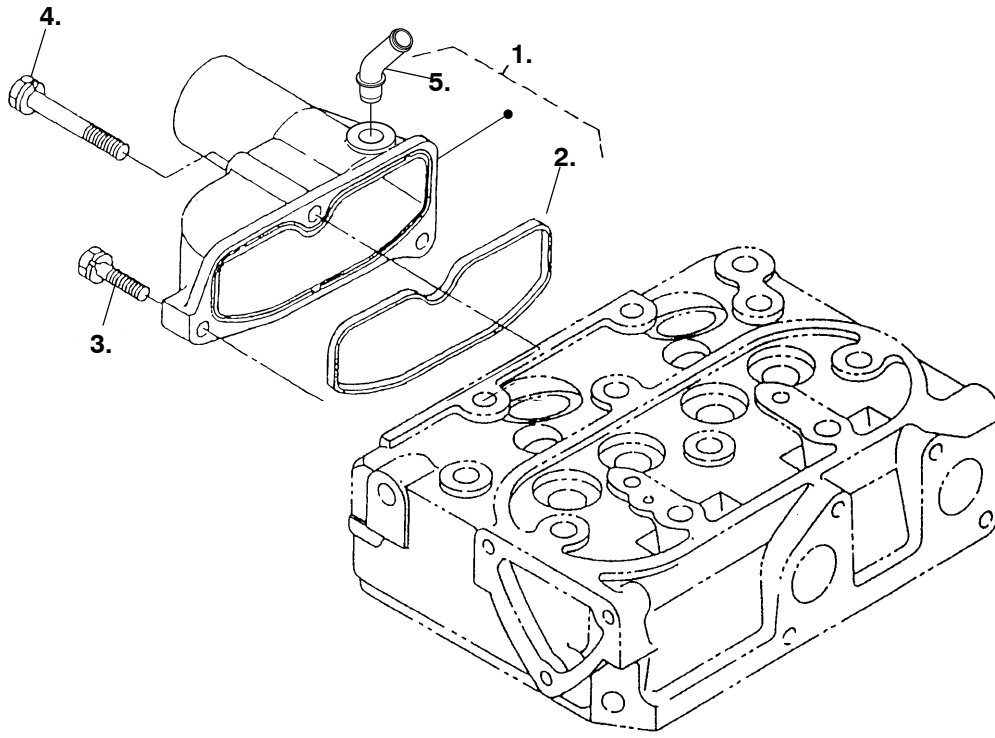
REF NO.	PART NO.	QTY USED	PART DESCRIPTION	REF NO.	PART NO.	QTY USED	PART DESCRIPTION
1.	149-2513	1	Filter, Fuel	13.	868-0007	1	Nut, Hex Jam (5/8-18)
2.	149-2667-02	1	Bracket, Fuel Filter	14.	854-0028	1	Washer, Locking (5/8ID")
3.	821-2096-02	4	Screw, Lock Flanged	15.	502-1296-02	1	Bulkhead, Fitting (Adapter Plug)
4.	870-0257	1	Nut, Self Locking (5/16-18)	16.	327-0923	1	Clamp, Loop (3/4")
5.	502-1224	1	Elbow, 90° Female	17.	327-0923	1	Clamp, J
6.	502-1367-01	2	Connector, Hose	18.	526-0115	1	Washer, Flat
7.	503-1951-12	2	Clamp, Hose	19.	800-2052	1	Screw, Hex Head
8.	503-2052-01	1	Hose, Fuel				
9.	503-1951-13	1	Clamp, Hose				
10.	A029T839	1	Line, Fuel Injection Pump				
11.	501-0804	1	Line, Fuel				
12.	149-2790	1	Pump, Fuel (Electric)				

Fuel System (Begin Spec E)



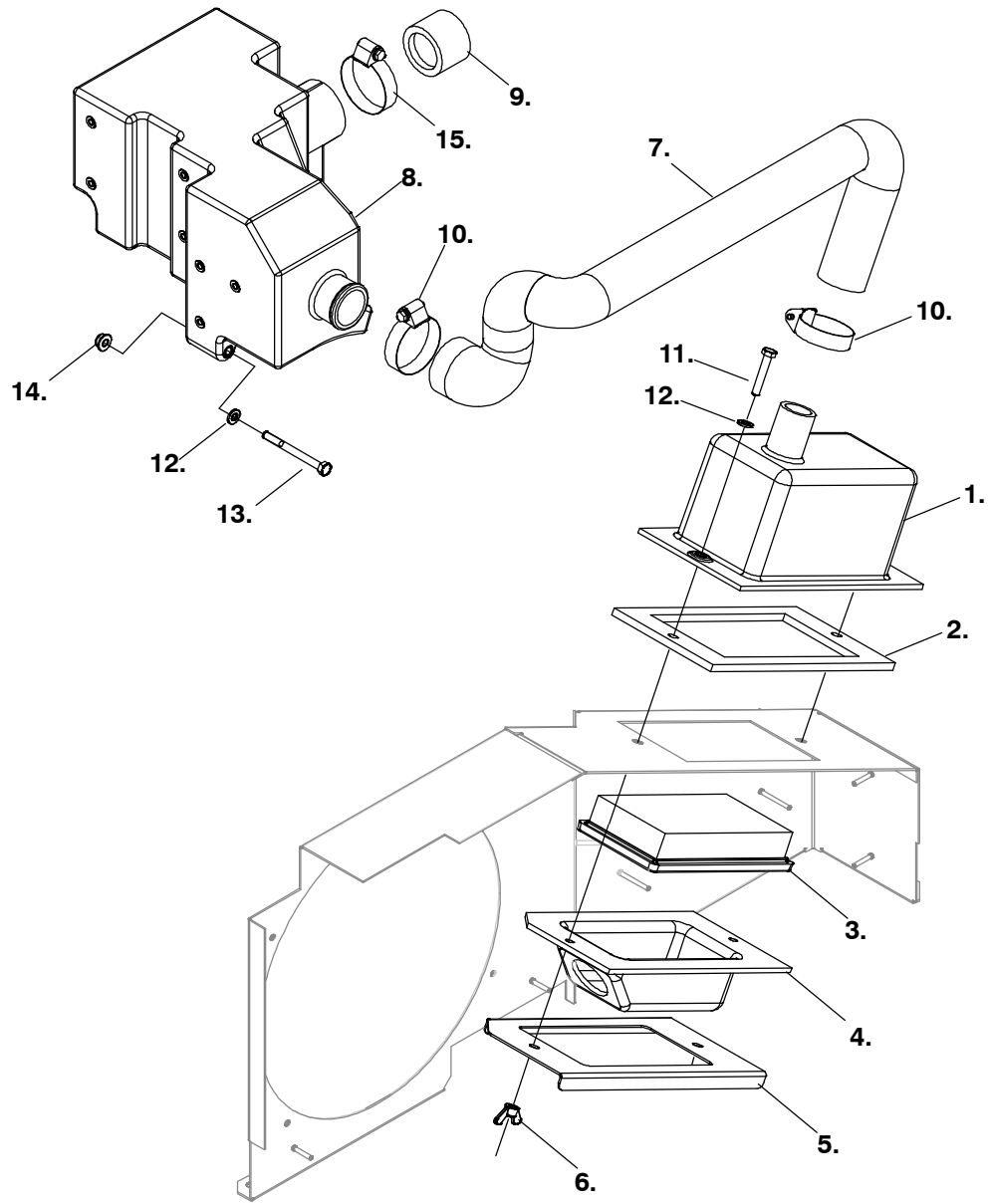
REF NO.	PART NO.	QTY USED	PART DESCRIPTION	REF NO.	PART NO.	QTY USED	PART DESCRIPTION
1.	149-2790	1	Pump, Fuel	16.	327-0923	1	Clamp, J
2.	149-2667-02	1	Bracket, Fuel Filter	17.	526-0115	1	Washer, Flat
3.	149-2513	1	Filter, Fuel	18.	800-2052	1	Screw, Hex Head
4.	A029T836	1	Line, Fuel				
5.	A029T839	1	Line, Fuel				
6.	502-1296-02	1	Fitting				
7.	854-0028	1	Washer, Lock				
8.	868-0007	1	Nut, Hex Jam				
9.	502-1367-01	2	Fitting, Hose Connector				
10.	A029T834	1	Line, Fuel				
11.	503-1951-13	1	Clamp				
12.	503-1951-12	2	Clamp				
13.	502-1224	1	Elbow, 90 Degree				
14.	821-2096-02	6	Screw, Flange Head Lock				
15.	870-0257	1	Nut, Lock				

Inlet Manifold



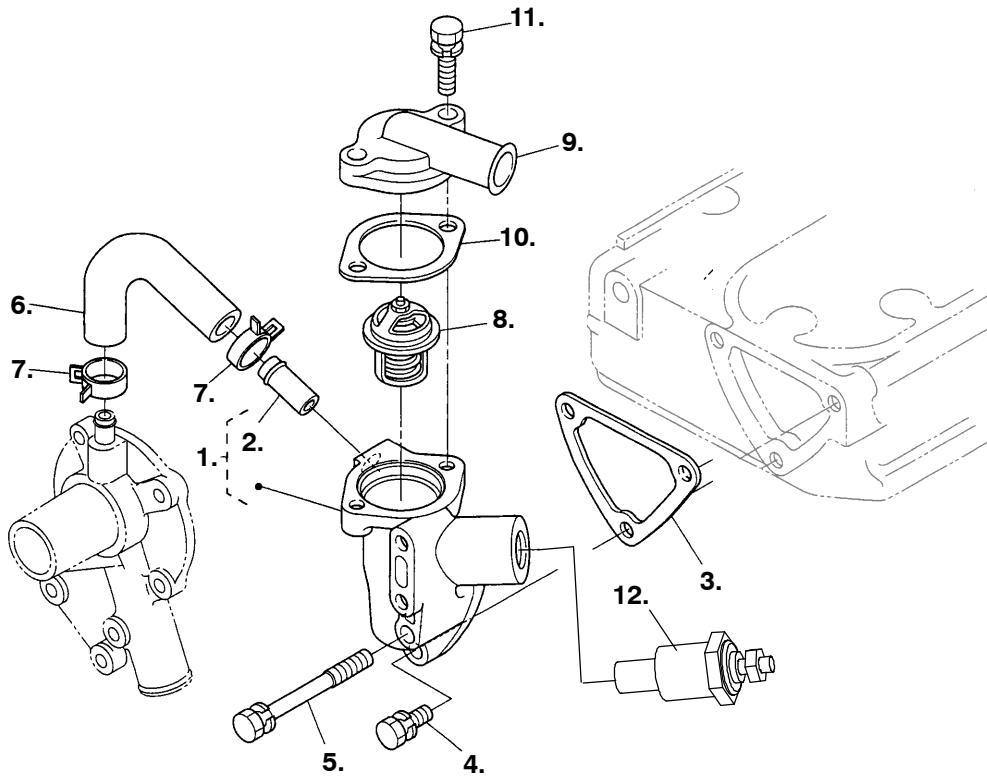
REF NO.	PART NO.	QTY USED	PART DESCRIPTION	REF NO.	PART NO.	QTY USED	PART DESCRIPTION
1.			Manifold Assy, Inlet (Includes Gasket)	3.	185-2389	2	Bolt
	185-5531	1	Spec A	4.	185-5833	1	Bolt
	181-9244	1	Spec C-G	5.			Pipe, Breather
	A047P613	1	Spec H		181-9256	1	Spec C-G
2.	185-5335	1	Gasket, Inlet Manifold		A047P621	1	Spec H

Intake System



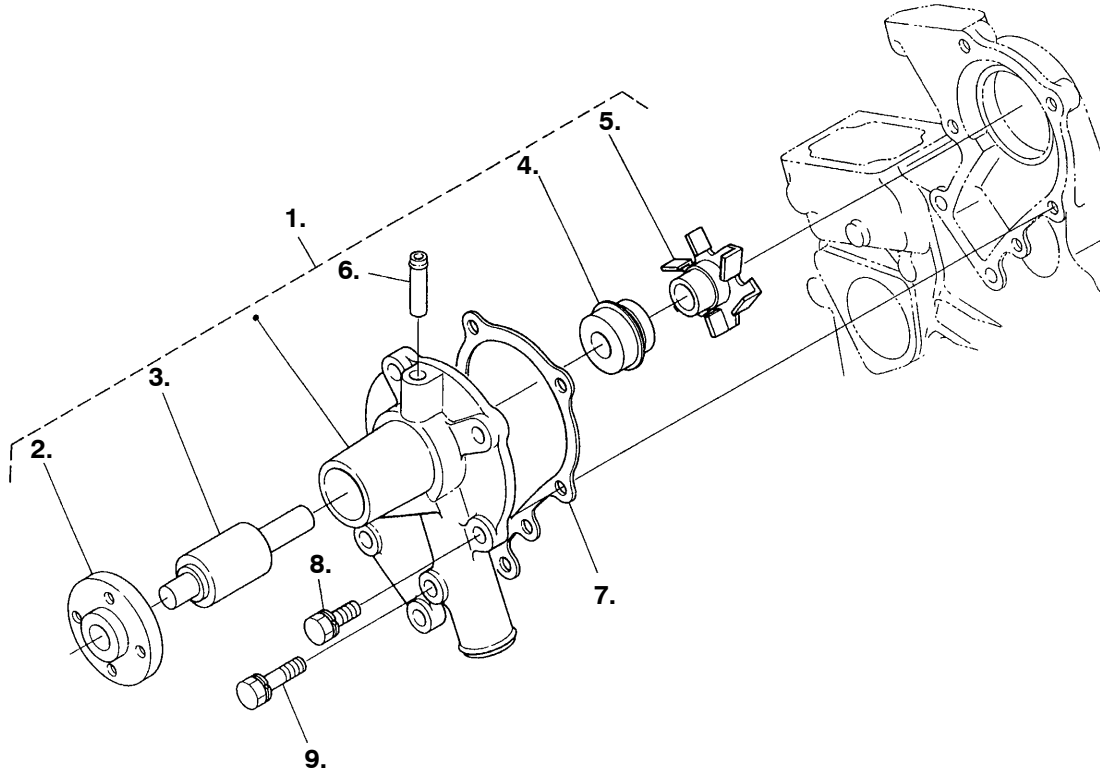
REF NO.	PART NO.	QTY USED	PART DESCRIPTION	REF NO.	PART NO.	QTY USED	PART DESCRIPTION
1.	140-3378-02	1	Housing, Air Cleaner	10.	503-0429	2	Band, Hose Clamp
2.	140-3445	1	Gasket, Air Cleaner	11.	800-6298	2	Screw, Hex Head (M6 x 1 x 40mm)
3.	140-3351	1	Element, Air Cleaner	12.	526-2080	3	Washer, Flat (M6)
4.	140-3377	1	Cover, Air Cleaner	13.	800-2043	1	Screw, Hex Head Cap (M6 x 1 x 65mm)
5.	140-3471	1	Clamp, Air Cleaner	14.	870-2065-02	1	Nut, Hex Flange
6.	865-0030	2	Nut, Wing	15.	503-0398	1	Clamp
7.	503-2311	1	Hose, Air				
8.	134-5282-02	1	Resonator, Intake				
9.	140-2898	1	Sleeve, Air Intake				

Water Flange



REF NO.	PART NO.	QTY USED	PART DESCRIPTION	REF NO.	PART NO.	QTY USED	PART DESCRIPTION
1.	184-0063	1	Flange, Water (Includes Pipe)	7.	185-6667	2	Band, Pipe
2.	185-5716	1	Pipe, Water Return	8.	185-5458	1	Thermostat
3.	181-9059	1	Gasket, Water Flange	9.	185-7208	1	Cover, Thermostat
4.	185-2388	2	Bolt	10.	185-2238	1	Gasket, Thermostat
5.	185-7069	1	Bolt	11.	185-6677	2	Bolt
6.	184-0064	1	Pipe, Water Return	12.	193-0318	1	Sender, Water Temperature

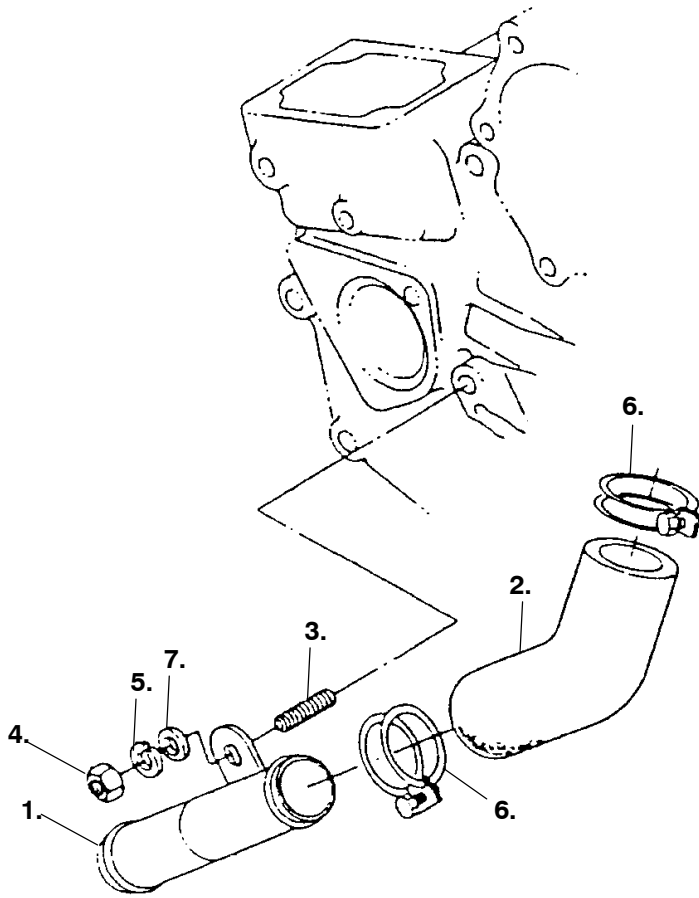
Coolant Water Pump



REF NO.	PART NO.	QTY USED	PART DESCRIPTION	REF NO.	PART NO.	QTY USED	PART DESCRIPTION
1.			Pump Assy, Water (Includes Parts Marked *)	5.	185-5715	1	*Impeller, Water Pump (Spec A-C)
	185-5433	1	Spec A-C	6.	185-5716	1	*Pipe, Water Return
	132-0492	1	Spec D-G	7.	132-0517		Gasket, Water Pump
	A047P607	1	Spec H	8.	185-2559	5	Bolt
2.		1	*Flange	9.	185-5717	2	Bolt
	185-5712	1	Spec A-G				
	A047P611	1	Spec H				
3.	185-5713	1	*Bearing				
4.	185-5714	1	*Seal Assy, Mechanical				

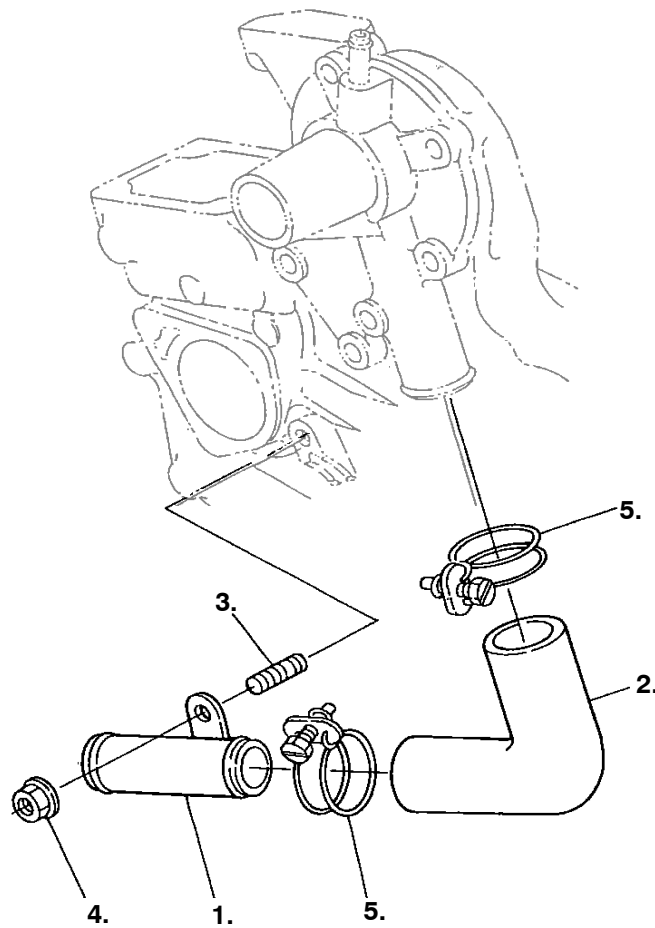
* - Parts Included in Water Pump Assy.

Coolant Hose (Spec A-C)



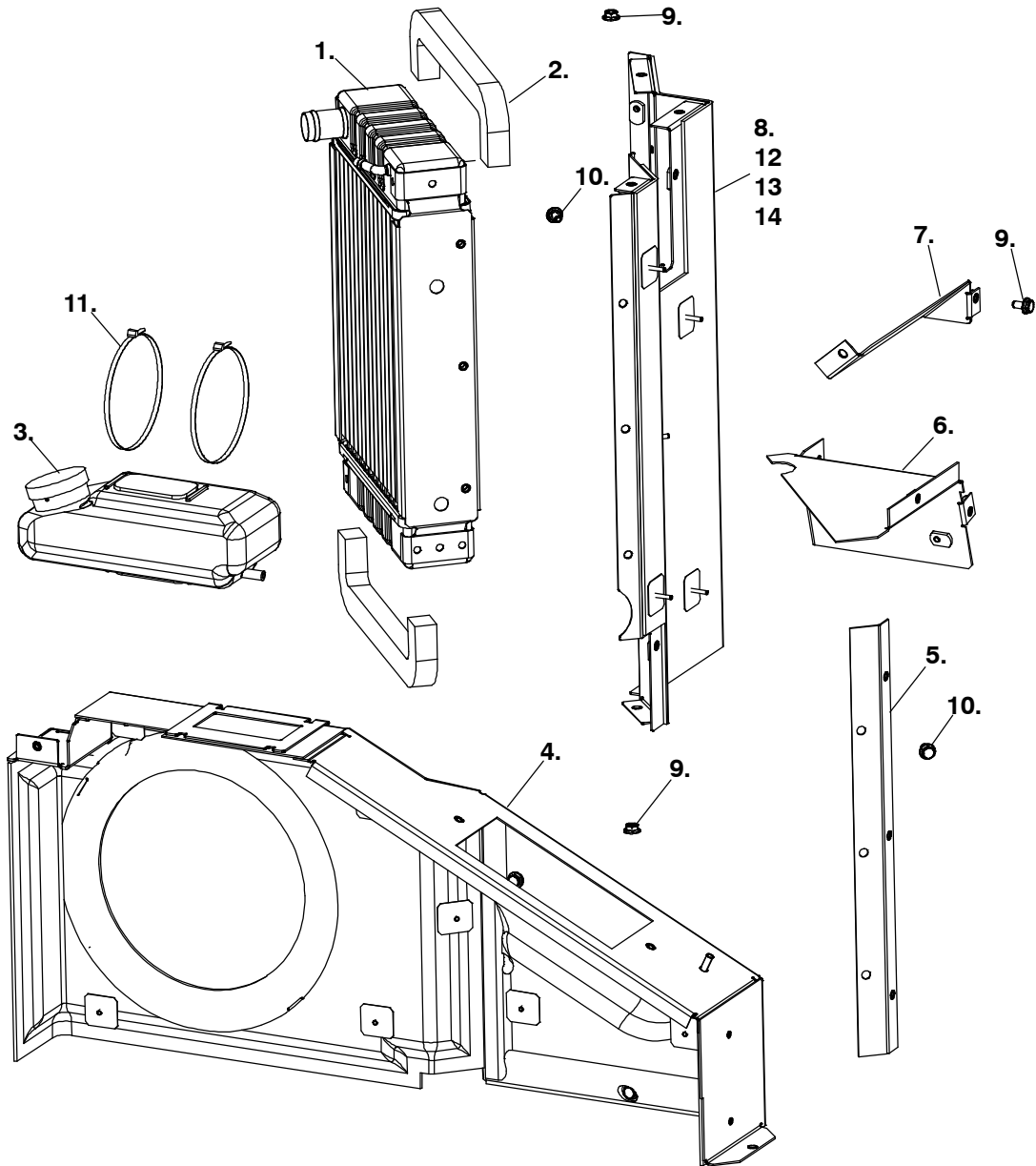
REF NO.	PART NO.	QTY USED	PART DESCRIPTION	REF NO.	PART NO.	QTY USED	PART DESCRIPTION
1.	185-5725	1	Pipe, Water	5.	185-6759	1	Washer, Spring
2.	185-5726	1	Hose, Water	6.	185-5728	2	Clamp, Hose
3.	185-5727	1	Stud	7.	740-1004	1	Washer, Plain
4.	185-4255	1	Nut				

Coolant Hose (Begin Spec D)



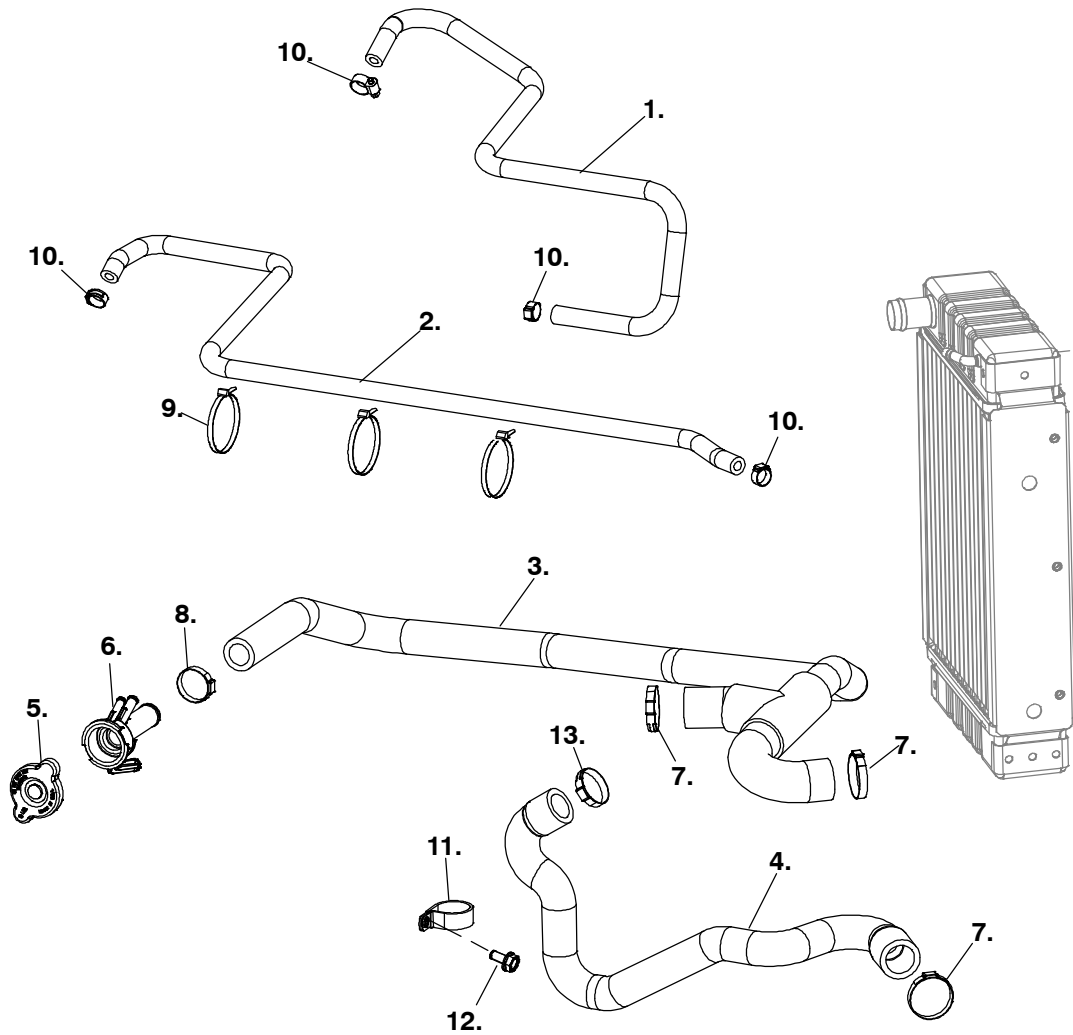
REF NO.	PART NO.	QTY USED	PART DESCRIPTION	REF NO.	PART NO.	QTY USED	PART DESCRIPTION
1.	181-9153	1	Pipe, Water Return	4.	185-7166	1	Nut, Flange
2.	181-9154	1	Hose, Water	5.	181-9060	2	Clamp, Hose
3.	185-5727	1	Stud				

Coolant System



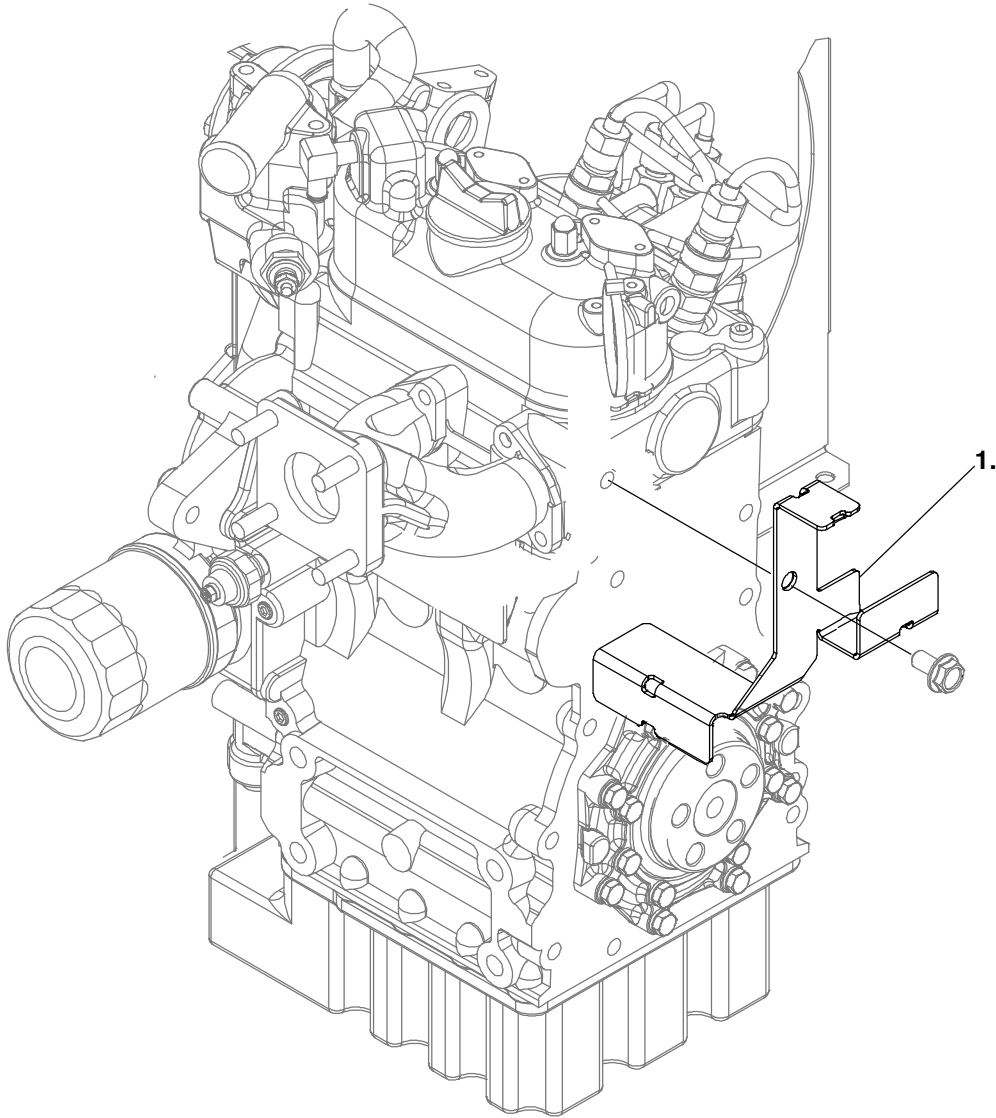
REF NO.	PART NO.	QTY USED	PART DESCRIPTION	REF NO.	PART NO.	QTY USED	PART DESCRIPTION
1.	A049T369	1	Radiator	9.	870-2065-02	6	Nut, Hex Flanged
2.	130-5623	2	Seal, Radiator	10.	821-2096-02	10	Screw, Locking Flange
3.	130-5478	1	Tank, Coolant	11.	332-1389	2	Cable, Tie
4.	319-4987-S0	1	Duct, Inlet	12	130-5463-02	1	*Baffle, Air
5.	130-5462-02	1	Bracket, Radiator	13	155-3497	1	*Insulation, Exhaust
6.	130-5461-02	1	Bracket, Radiator	14	870-0462	7	*Nut, Push-On
7.	130-5624-02	1	Duct, Radiator				
8.	130-5499	1	Baffle, Air (Includes Parts Marked *)				

Cooling System



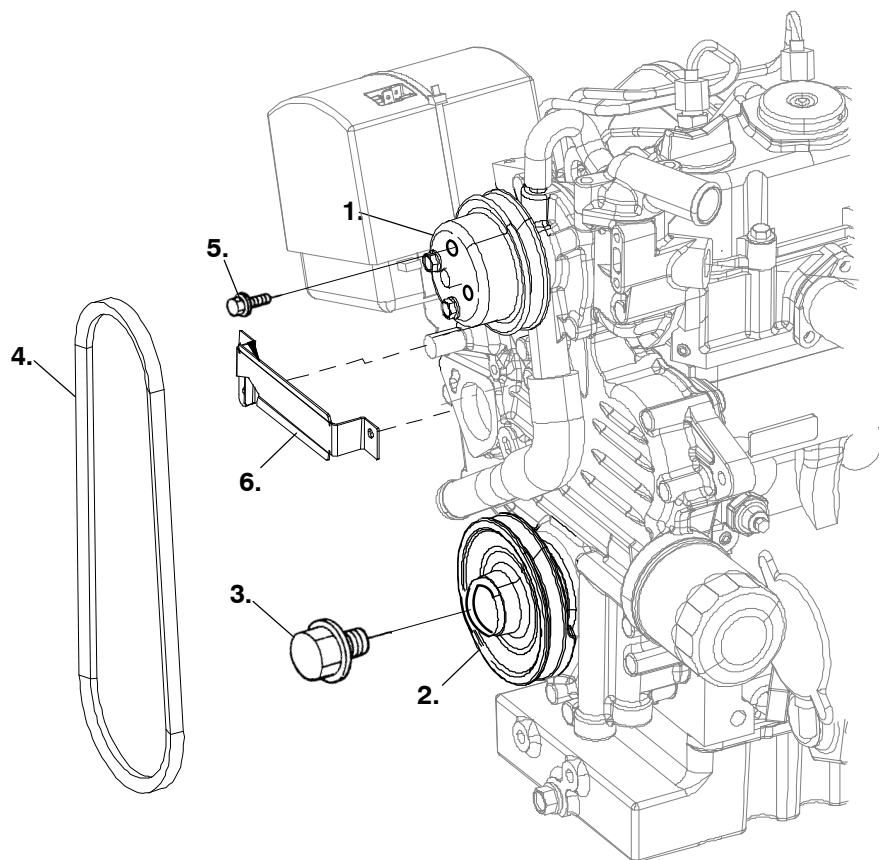
REF NO.	PART NO.	QTY USED	PART DESCRIPTION	REF NO.	PART NO.	QTY USED	PART DESCRIPTION
1.	503-2343-04	1	Hose, Air	9.	332-1389	3	Cable, Tie
2.	503-2343-02	1	Hose, Air	10.	503-2309	4	Clamp, Hose
3.	503-2312	1	Hose, Coolant	11.	518-0548-05	1	Clamp, Cable
4.	503-2313	1	Hose, Coolant	12.	815-0829-04	1	Screw, Hex Washer Head Thread Form(M8 x 1.25 x 16mm)
5.	130-7902	1	Cap, Fill	13.	503-1951-40	1	Clamp, Hose
6.	130-4321	1	Neck, Fill				
7.	503-1951-46	3	Clamp, Hose				
8.	503-1951-37	1	Clamp, Hose				

Bracket



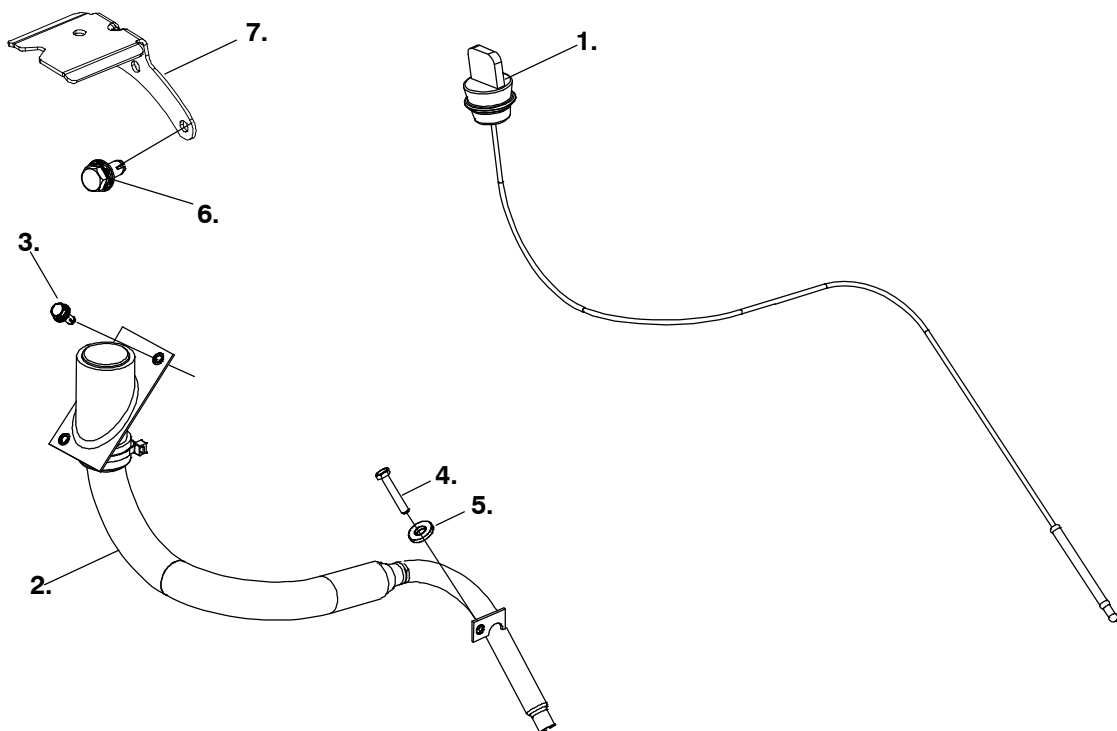
REF NO.	PART NO.	QTY USED	PART DESCRIPTION
1.	130-5632-02	1	Bracket, Hose

Pulley



REF NO.	PART NO.	QTY USED	PART DESCRIPTION	REF NO.	PART NO.	QTY USED	PART DESCRIPTION
1.	185-5707	1	Pulley, Water Pump	4.	511-0235	1	Belt
2.	185-6822	1	Pulley, Fan Drive	5.	185-2572	4	Bolt, Flange
3.	185-5709	1	Bolt, Flange	6.	503-2398-02	1	Clamp, Hose

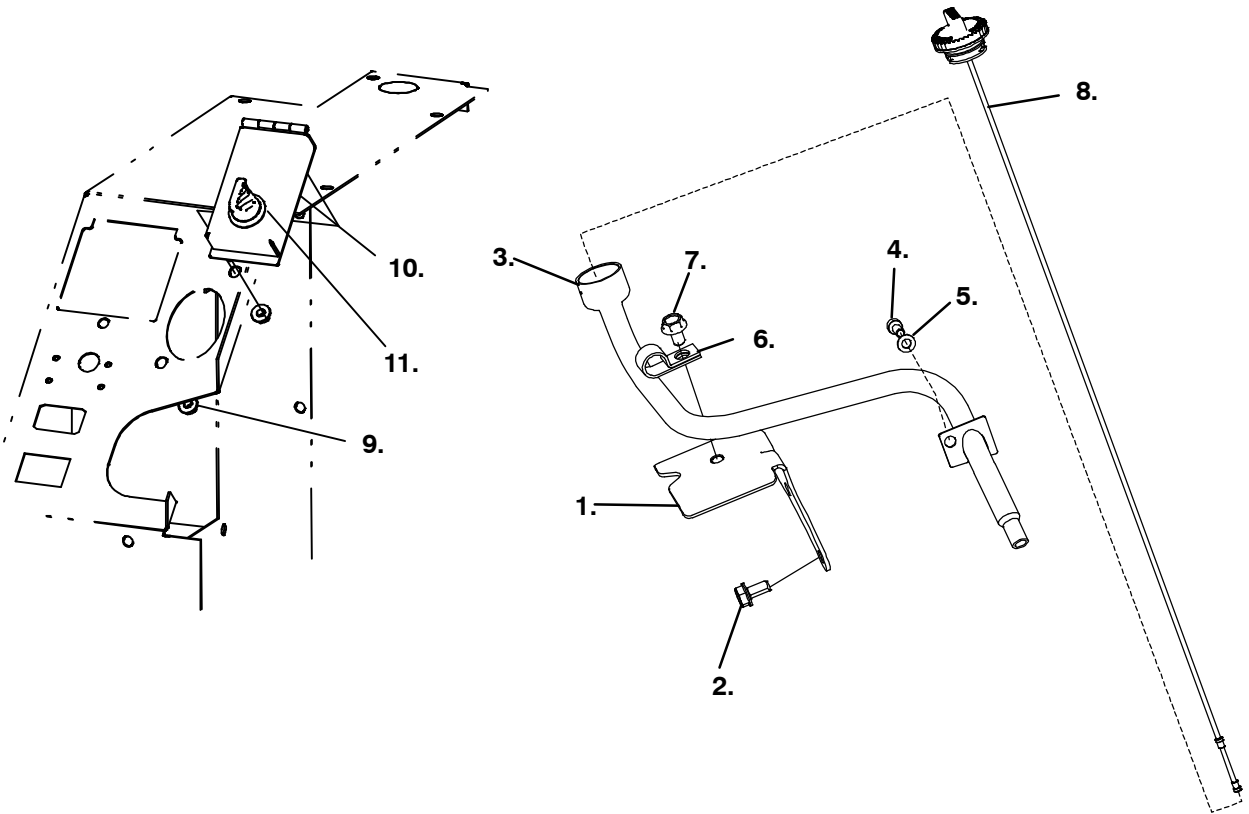
Oil Fill Indicator (Spec A-F)



REF NO.	PART NO.	QTY USED	PART DESCRIPTION
	541-1369	1	Kit, Oil Fill (Includes Parts Marked *)
1.	123-2236	1	*Indicator, Oil
2.	123-2345	1	*Tube, Oil
3.	821-2096-02	2	*Screw, Locking Flange
4.	725-1027	1	*Screw, Hex Socket Head (M6 x 1 x 16mm)
5.	526-2081	1	*Washer, Flat
6.	815-0829-04	2	*Screw
7.	403-5751-02	1	*Bracket

Note: Oil Fill Kit A044F075 is backwards compatible with Spec (A-F). However, the entire kit must be used when up-fitting an earlier Spec (A-F) generator set.

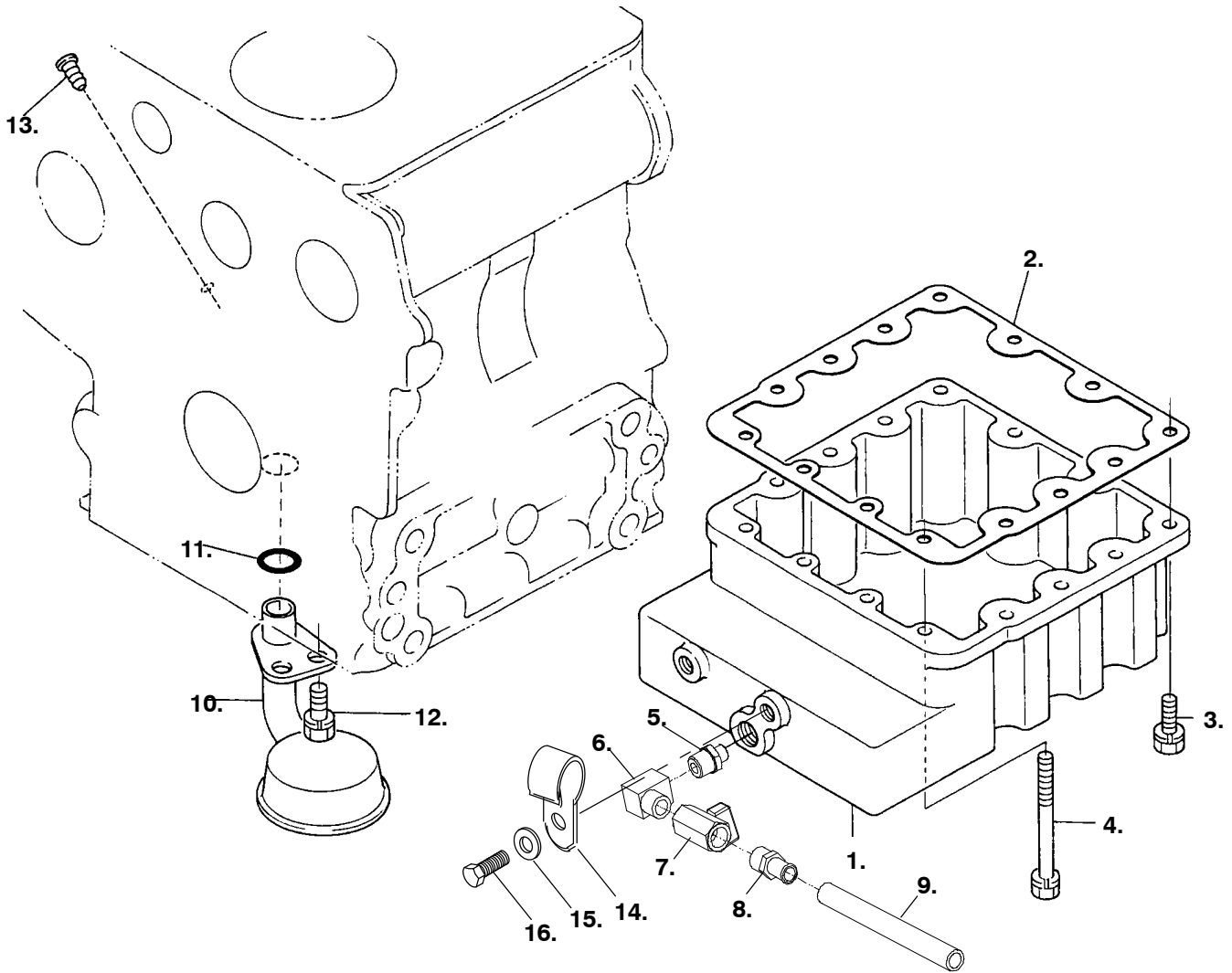
Oil Fill Indicator (Begin Spec G)



REF NO.	PART NO.	QTY USED	PART DESCRIPTION
	A049E008	1	Kit, Oil Fill (Includes Parts Marked *)
1.	A042W432	1	*Bracket, Alternator
2.	815-0829-04	2	*Screw, Hex Flange Head
3.	A042W757	1	*Tube, Oil
4.	725-1027	1	*Screw, Hex Socket Head (M6 x 1 x 16mm)
5.	526-2081	1	*Washer, Flat
6.	518-0548-08	1	*Clamp
7.	A029X506	1	*Screw, Hex Flange Head
8.	A048Z763	1	*Dipstick
9.	870-2065-02	2	*Nut, Hex Flange
10.	A041D996	1	*Cover, Access
11.	406-0958	1	Latch, Door (included with Access Cover)

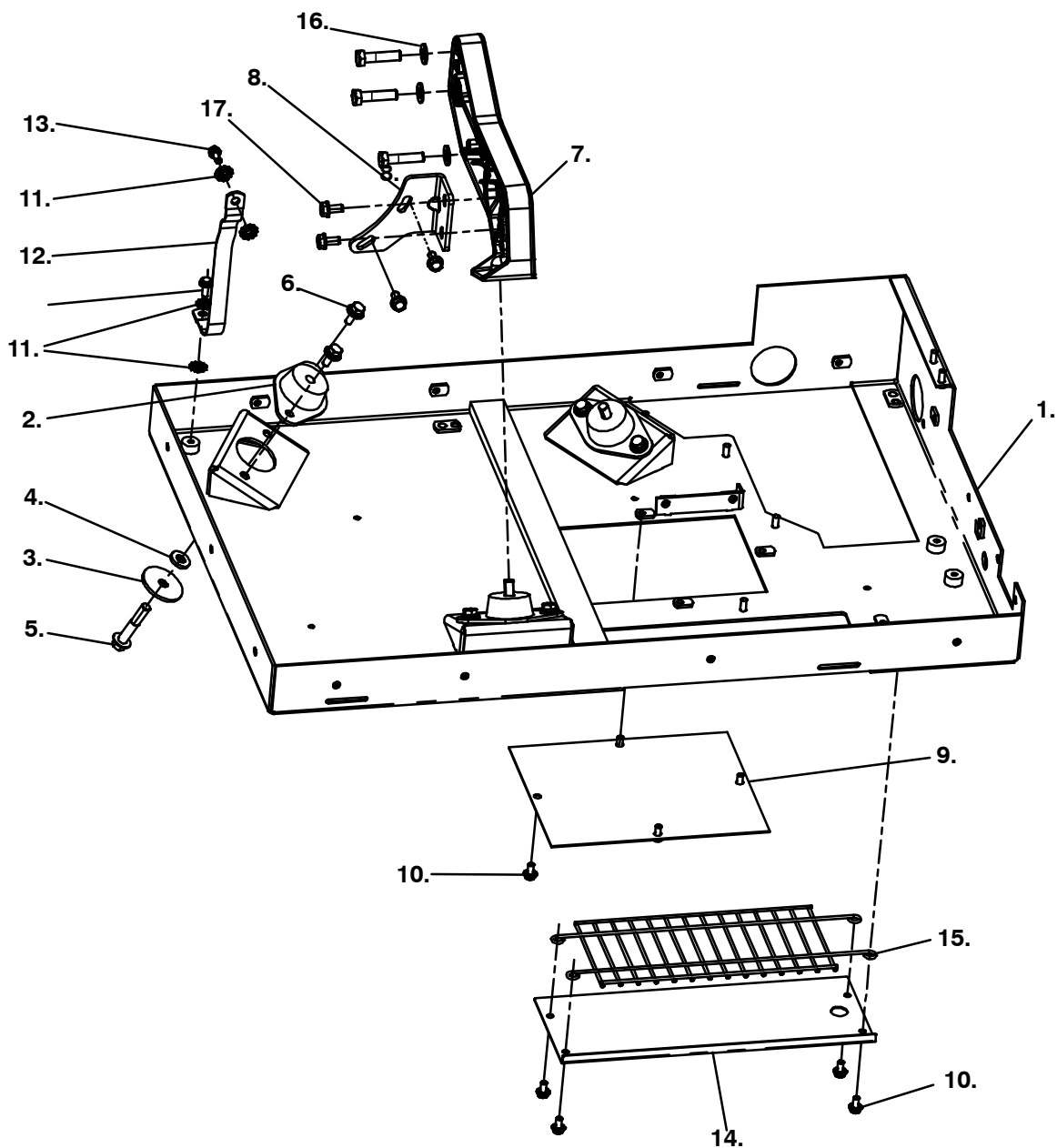
Note: Oil Fill Kit (A049E008) is backwards compatible with Spec (A-F). However, the entire kit must be used when up-fitting an earlier Spec (A-F) generator set.

Oil Pan



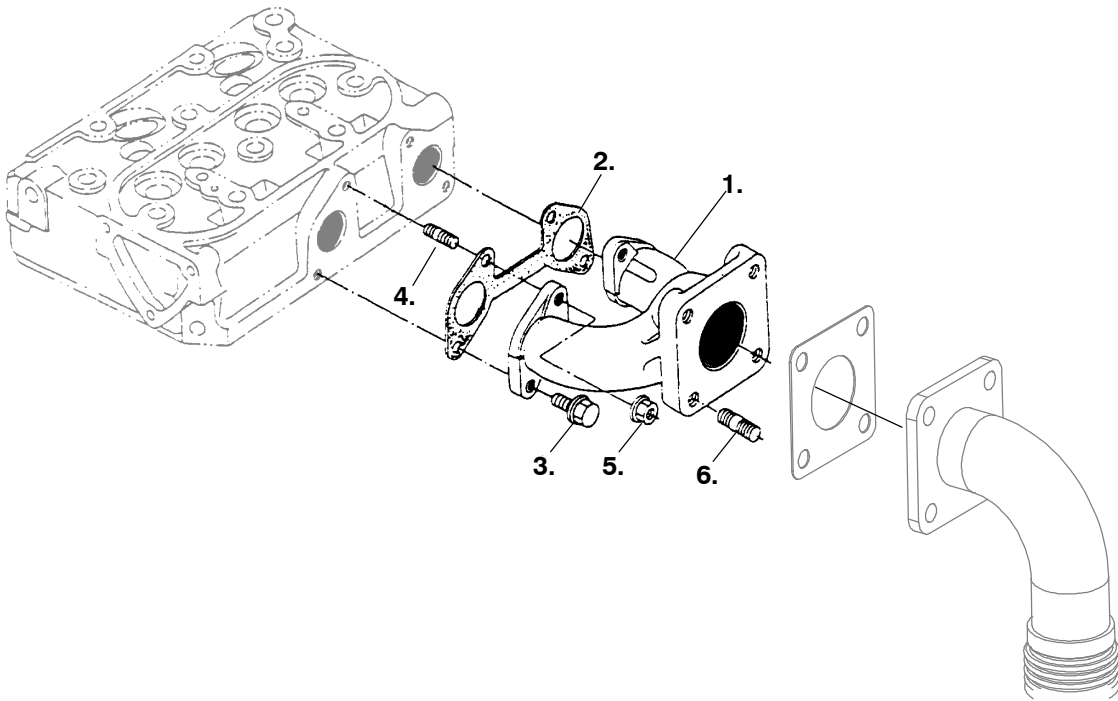
REF NO.	PART NO.	QTY USED	PART DESCRIPTION	REF NO.	PART NO.	QTY USED	PART DESCRIPTION
1.	184-0047	1	Pan, Oil	10.	120-1348	1	Filter, Oil
2.	181-9068	1	Gasket, Oil Pan	11.	185-7421	1	O'Ring
3.	185-2389	10	Bolt	12.	185-6956	1	Bolt
4.	184-0011	4	Bolt	13.	517-0371	1	Plug, Oil Gauge
5.	102-1485	1	Adapter, Oil Drain	14.	327-0923	1	Clamp, J (3/4")
6.	502-1180	1	Elbow, 90	15.	526-0115	1	Washer, Flat
7.	504-0206	1	Valve, Ball	16.	800-2052	1	Screw, Hex Head Cap (M8 x 1.25 x 12mm)
8.	503-1168	1	Connector, Hose				
9.	503-2407	1	Hose, Oil				

Drip Pan



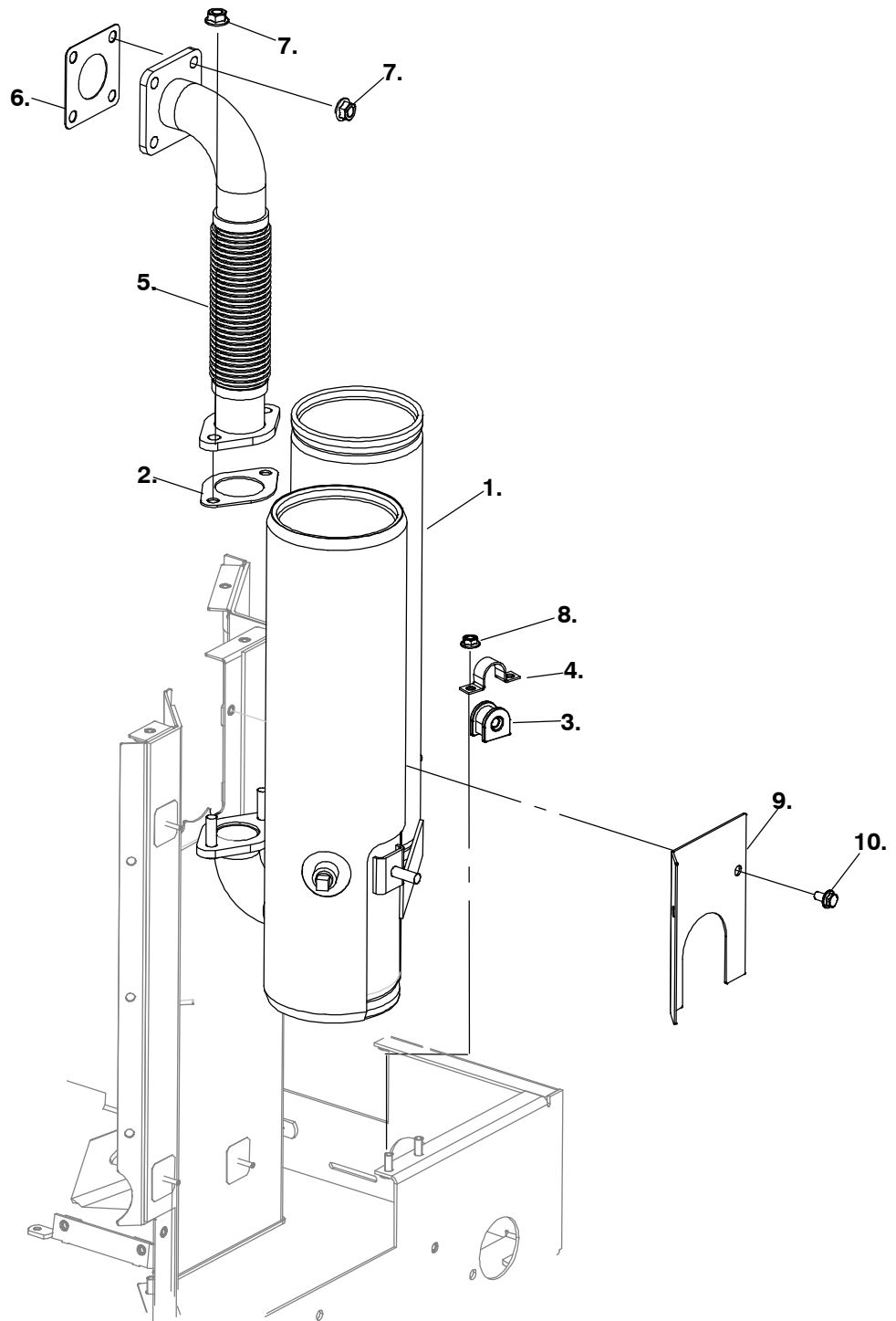
REF NO.	PART NO.	QTY USED	PART DESCRIPTION	REF NO.	PART NO.	QTY USED	PART DESCRIPTION
1.	403-4561-02	1	Pan, Drip	11.	856-0006	4	Washer, Lock (1/4)
2.	402-0728-01	3	Isolator, Vibration	12.	337-3467	1	Strap, Bond
3.	526-0324	3	Washer, Flat (3/8")	13.	815-0941-03	1	Screw, (M6 x 1 x 16),
4.	526-0030	3	Washer, Flat (3/8")	14.	130-5699-02	1	Cover, Guard
5.	815-0842-09	3	Screw, Thread Form (M10 x 1.5 x 50mm)	15.	130-5628	1	Guard, Radiator Fan
6.	821-6003-01	6	Screw, Hex Head Sems (M8 x 1.25 x 16mm)	16.	526-2120	3	Washer, Flat (M10)
7.	403-4605	1	Bracket, Engine	17.	815-0829-04	4	Screw, Hex Washer Head Thread Form(M8 x 1.28 x 16mm)
8.	403-4635-04	1	Bracket, Generator				
9.	403-4565-02	1	Cover, Service				
10.	821-2096-02	9	Screw, Locking Flange				

Exhaust Manifold



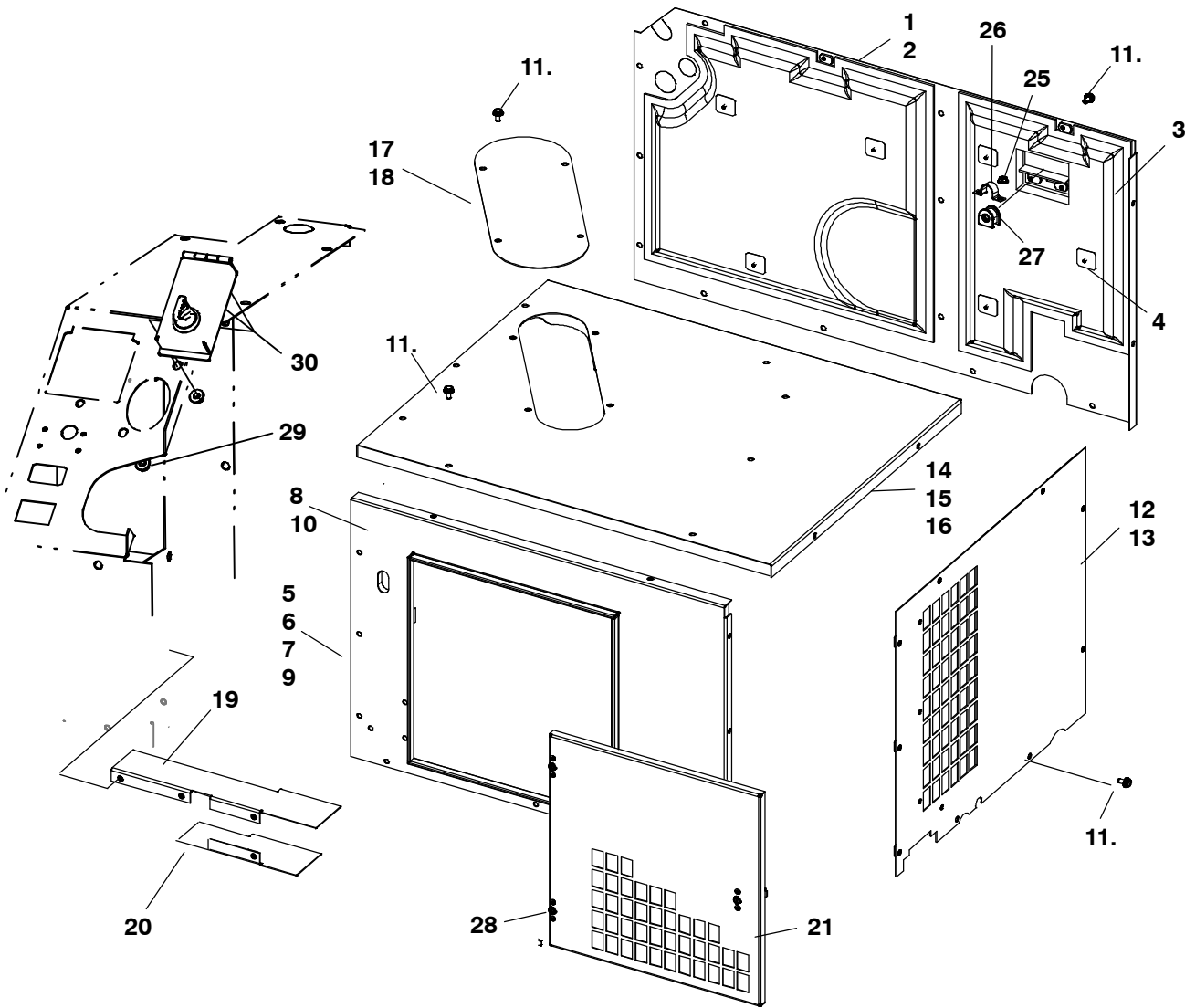
REF NO.	PART NO.	QTY USED	PART DESCRIPTION	REF NO.	PART NO.	QTY USED	PART DESCRIPTION
1.	185-5533	1	Manifold, Exhaust	5.	185-5536	2	Nut
2.	185-6851	1	Gasket	6.	185-2362	4	Stud
3.	185-5534	2	Bolts				
4.	185-5829	2	Stud				

Exhaust System



REF NO.	PART NO.	QTY USED	PART DESCRIPTION	REF NO.	PART NO.	QTY USED	PART DESCRIPTION
1.	541-0953	1	Kit, Muffler	6.	A028X874	1	Gasket, Exhaust Out
	155-4060	1	Muffler, Exhaust Begin Spec B	7.	870-0557	6	Nut, Hex Flange (M8 x 1.25mm)
2.	154-2800	1	Gasket, Exhaust Muffler	8.	870-2065-02	2	Nut, Hex Flange
3.	402-0687-01	1	Isolator, Muffler	9.	155-3730-02	1	Bracket, Exhaust
4.	402-0695-02	1	Clamp, Muffler Isolator	10.	821-2096-02	2	Screw, Locking Flange (M6 x 1 x 12mm)
5.	154-3236	1	Pipe, Exhaust Muffler				

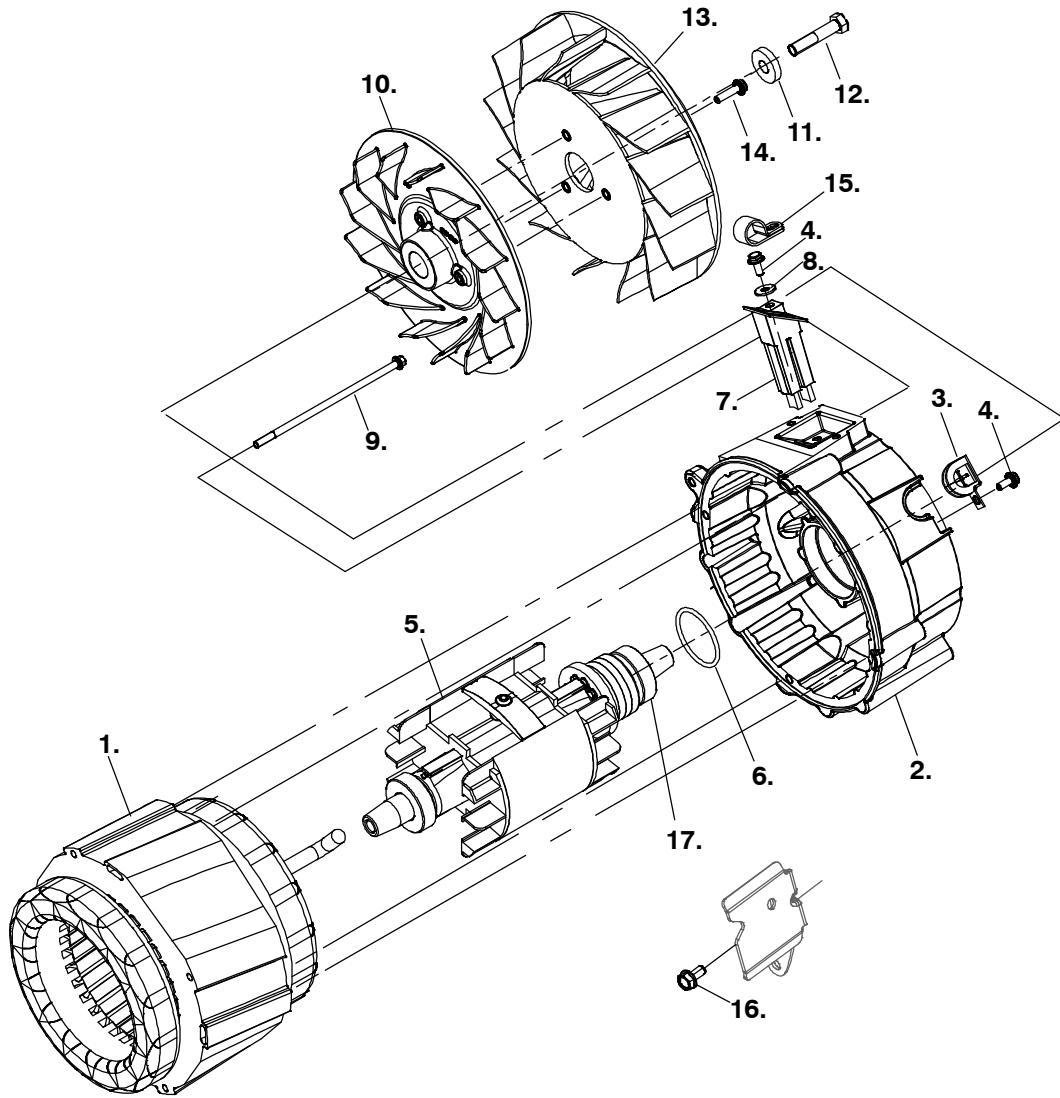
Enclosure



REF NO.	PART NO.	QTY USED	PART DESCRIPTION	REF NO.	PART NO.	QTY USED	PART DESCRIPTION
	405-7568-S0	1	Cover, Enclosure Right Hand	19	405-7659-02	1	Panel, Air Baffle
1	405-7567-02	1	*Cover, Enclosure	20	405-7660-02	1	Panel, Air Baffle
2	405-6855	1	*Insulation, Enclosure	21	A030D594	1	Cover, Access Panel (LH)
3	405-7566	1	*Insulation, Enclosure	22	A030D597	1	@Door, Enclosure
4	870-0462	AR*\$#%	Nut, Push-On	23	818-0231-02	6	@Rivet, Pop
5	405-6835-S2	1	Cover, Enclosure Left Hand	24	A030D619	1	@Insulation, Door
6	405-6853-01	1	+Insulation, Enclosure	25	870-2065-02	2	Nut, Hex Flange
7	508-1118	4	+Edging, Trim	26	402-0695-02	1	Clamp, Muffler Isolator
8	405-7255	1	+Seal, Enclosure	27	402-0687-01	1	Isolator, Muffler
9	405-7375	1	+Seal, Enclosure	28			Latch
10	405-7376	1	+Seal, Enclosure		A030D599	3	@ Vertical
11.	800-6497-01	62	Screw, Locking Flange		406-0842	3	Horizontal
12.	405-6836-S2	1	Cover, Enclosure Front	29	870-2065-02	2	Nut, Hex Flange (Begin Spec G)
13	405-6854	1	\$Insulation, Panel, Engine	30	A041D996	1	Cover, Access (Begin Spec G)
14	405-6833-S2	1	Cover, Enclosure Top				
15	405-6856	1	#Insulation, Enclosure				
16	405-6851	1	#Insulation, Enclosure				
17	405-7328	1	Panel, Access				
	405-7325-02	1	%Panel, Access				
18	405-7327	1	%Insulation Panel				

* - Parts Included in Cover, Enclosure Right Hand.
 + - Parts Included in Cover, Enclosure Left Hand.
 \$ - Parts Included in Cover, Enclosure Front.
 # - Parts Included in Cover, Enclosure Top.
 % - Parts Included in Panel, Access
 @ - Parts Included in Cover, Access Panel (LH)

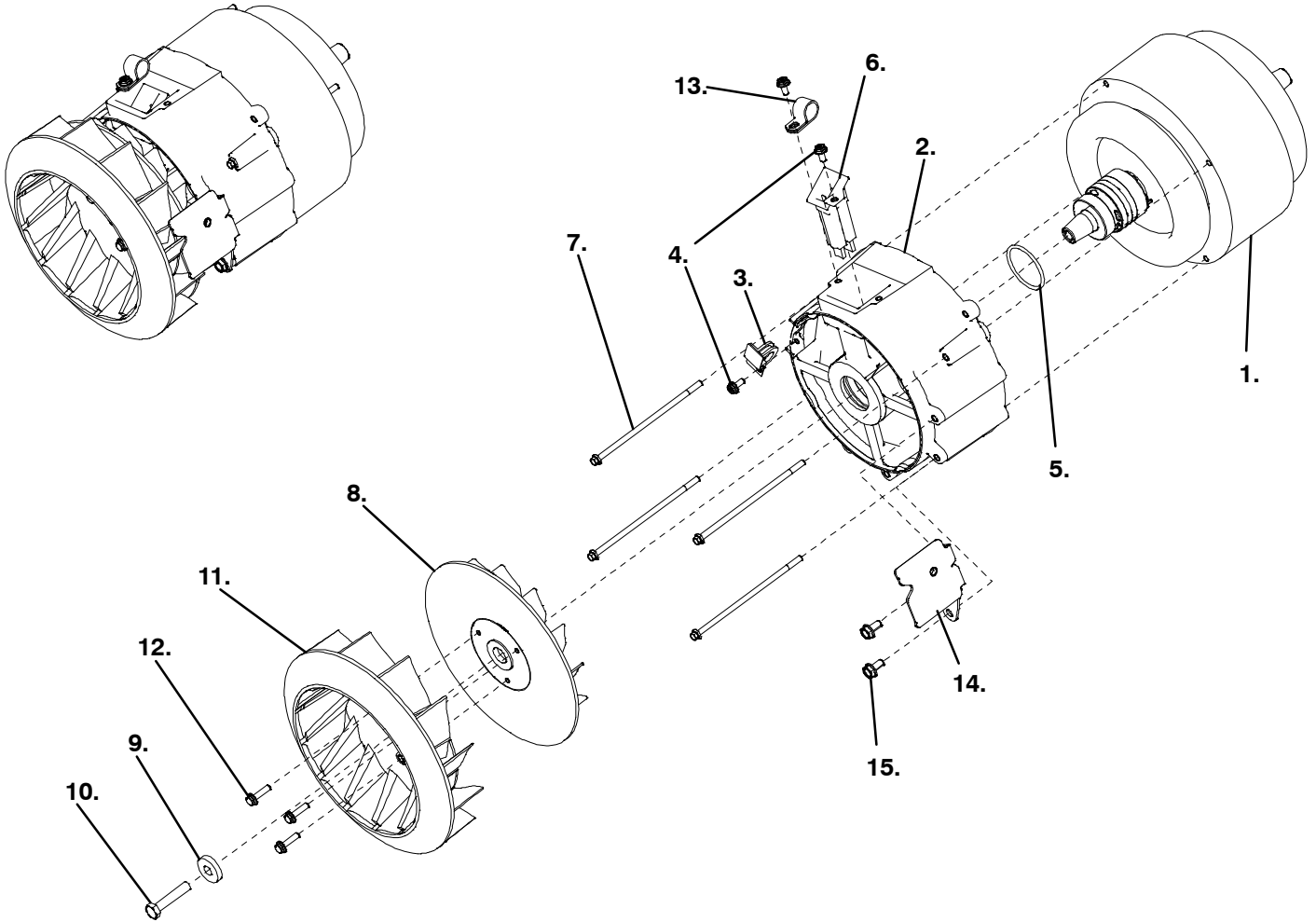
Generator Spec A-H



REF NO.	PART NO.	QTY USED	PART DESCRIPTION	REF NO.	PART NO.	QTY USED	PART DESCRIPTION
1.	541-1205	1	Kit, Bracket Generator (Includes Parts Marked *) Stator, Wound HDKBB 1Ø	7.	212-1303	1	Brush, Block
	220-4620-01	1	120/240 Volts, 60Hz	8.	526-2083	1	Washer, Flat (M6)
	220-4620-02	1	120 Volts 60Hz	9.	815-0927-01	4	Bolt, Stator Mounting
	220-4620-03	1	115/230 Volts 50Hz	10.	205-0347	1	Fan, Generator (Replaces 205-0300)
	220-4620-04	1	230 Volts 50Hz HDKBC 3Ø	11.	526-0017	1	Washer, Flat
2.	220-4621-01	1	50Hz 400V	12.	800-2091	1	Screw, Hex Head Cap (M10 x 1.5 x 50mm)
	220-4621-02	1	60Hz 240V	13.	205-0289	1	Fan
3.	A029W995	1	Endbell	14.	800-6296-01	3	Screw, Hex Head Flange (M6 x 25mm)
4.	508-1265	1	Grommet	15.	332-1356	1	Clamp, Loop (Insulated)
5.	201-3678-01	1	Rotor	16.	815-0829-04	2	*Screw, Hex Head Thread Form (Begin Spec C)
6.	509-0420	1	O'Ring	17.	510-0208	2	Bearing, Ball

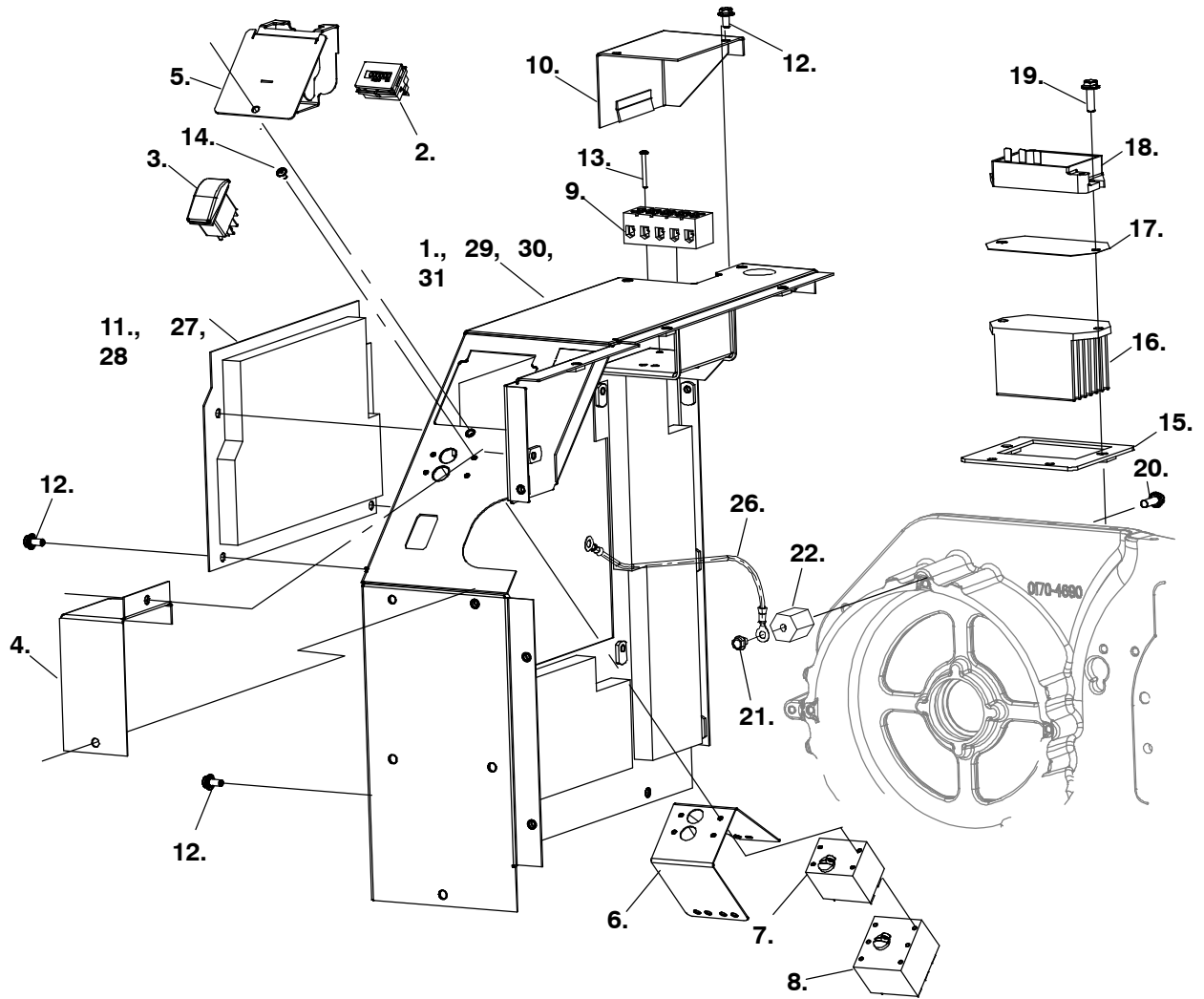
Note: Rotor and Stator parts for Spec A-H are now only available to order as combined generator parts: (120V, 60Hz) = A053R511, (120/240V, 60Hz) = A053L824, (230V, 50Hz) = A053M356. These are all single phase. There are no 3 phase generators available in the new part number supersession.

Generator Begin Spec J



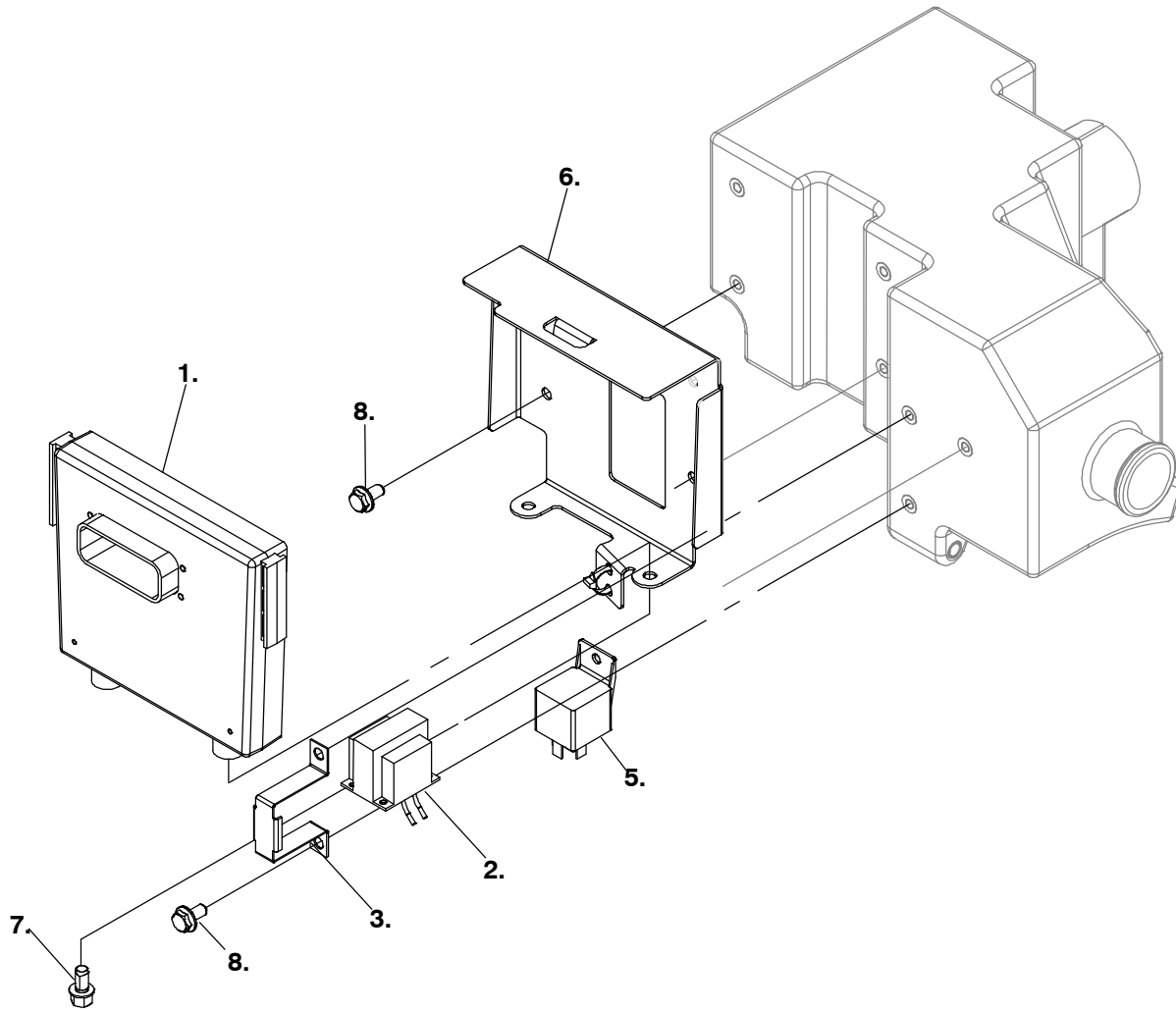
REF NO.	PART NO.	QTY USED	PART DESCRIPTION	REF NO.	PART NO.	QTY USED	PART DESCRIPTION
1.	A053R511	1	Generator (Single Phase)	7.	815-0927-01	4	Bolt
	A053L824	1	120 Volts, 60Hz	8.	205-0347	1	Fan
	A053M356	1	120/240 Volts 60Hz	9.	526-0017	1	Washer, Flat
2.	A029W995	1	230 Volts 50Hz	10.	800-2091	1	Screw, Hex Head
3.	508-1265	1	Endbell, Generator	11.	205-0289	1	Fan, Generator
4.	815-0753	3	Grommet	12.	800-6296-01	3	Screw, Hex Flange Head
5.	509-0420	1	Screw, Hex Head	13.	332-1356	1	Clamp, Loop
6.	212-1303	1	O'Ring	14.	A042W432	1	Bracket, Alternator
			Brush, Block	15.	815-0829-04	2	Screw, Hex Flange Head

Control Box



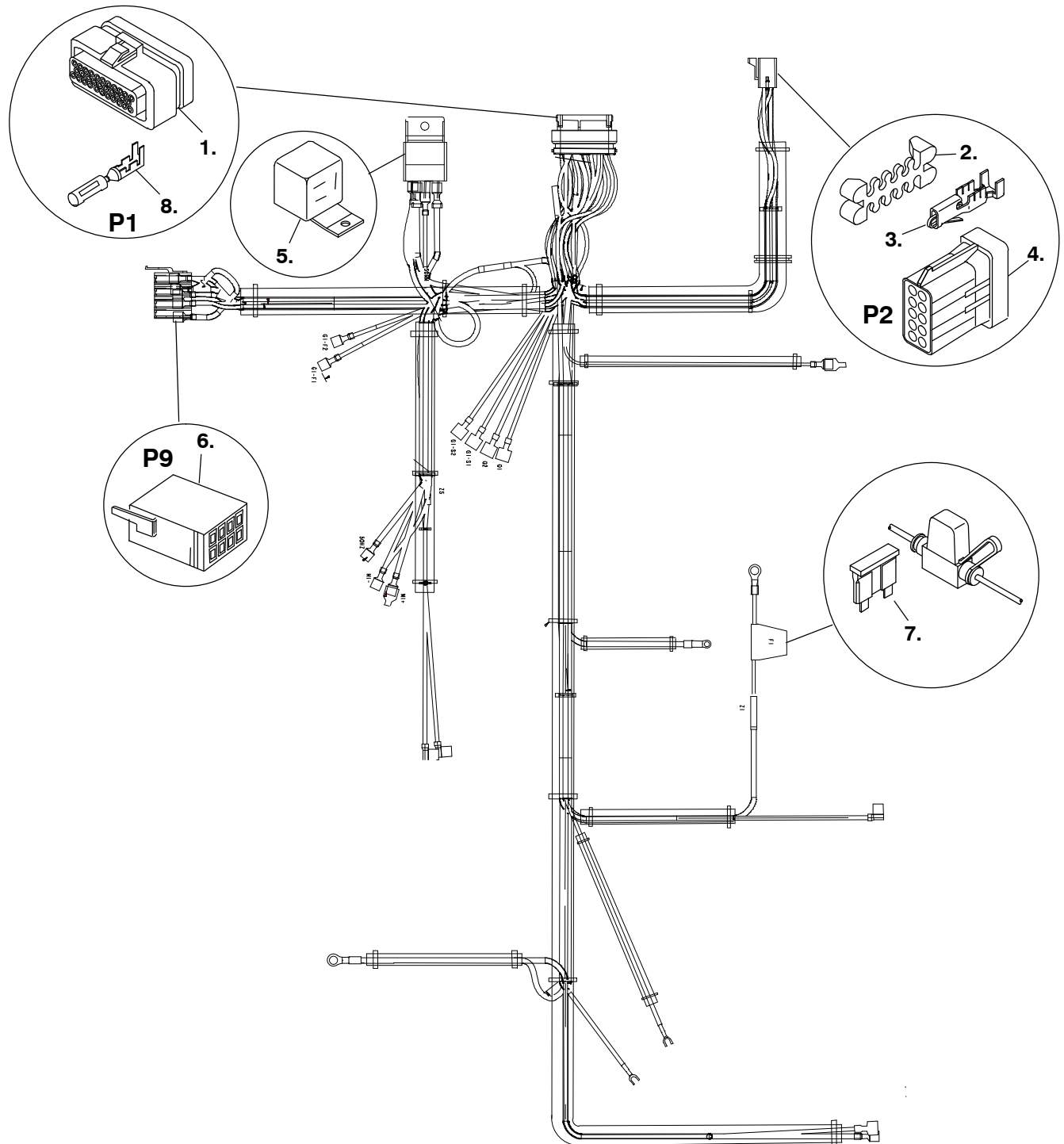
REF NO.	PART NO.	QTY USED	PART DESCRIPTION	REF NO.	PART NO.	QTY USED	PART DESCRIPTION
1.			Panel Assy, Control (Includes Parts Marked *)	15.	305-0998-02	1	Bracket, Regulator
	405-7491-S0	1	Spec A-G	16.	305-0995	1	Heatsink
2.	302-2048	1	Hourmeter	17.	363-0205	1	Pad, Heatsink
3.	308-1038	1	Switch, Rocker	18.	305-1006	1	Regulator, Battery Charger
4.	405-7212-02	1	Cover, Access (Coolant)	19.	821-2034	2	Screw, Locking Flange (M6 x 1 x 20mm)
5.	405-5309-03	1	Cover, Access	20.	821-0015	1	Screw, Locking Head (1/4-20 x 3/4") 50Hz
6.	320-2101-02	1	Guard, Circuit Breaker	21.	821-0008	1	Screw, Locking Head (1/4-20 x 5/16") 50Hz
7.	320-2439-01	1	Circuit, Breaker Single Phase	22.	332-2370	1	Stand-off, Insulator
8.			Circuit, Breaker	23.	98-8001-03	1	Label, Information (1 Phase 50Hz and 60Hz)
	320-2433-01	1	3 Phase (50Hz)	24.	98-8001-04	1	Label, Information (3 Phase 60Hz)
	320-2433-02	1	3 Phase (60Hz)	25.	98-8001-05	1	Label, Information (3 Phase 50Hz)
9.	-	1	Harness, AC (See AC Harness Page)	26.	338-5011	1	Harness, Jumper (50Hz)
10.	405-5380-05	1	Cover, AC (Black)	27.	405-7498	1	+Insulation, Cover
11.	405-7496	1	Cover, Enclosure (Includes Parts Marked +)	28.	405-7497-02	1	+Cover, Enclosure
12.	800-6497-01	4	Screw, Locking Flange (M6 x 1 x 12mm)	29.	405-7493	1	*Insulation, Enclosure
13.	812-0070	2	Screw, Round Head (6-32 x 1.25)	30.	405-7492	1	*Insulation, Enclosure
14.	815-0550-01	4	Screw, Xrec Phillips Head (6-32 x .312)	31.	405-7494-02	1	*Cover, Enclosure

Control



REF NO.	PART NO.	QTY USED	PART DESCRIPTION	REF NO.	PART NO.	QTY USED	PART DESCRIPTION
1.	A042X089	1	Control, PCB	7.	815-0943-02	2	Screw, Hex Washer Head Thread Forming (1/4-10 x .50)
2.	315-0856	1	Transformer, (Three Phase) Spec A	8.	821-2096-02	7	Screw, Locking Flange
	315-0899	1	Begin Spec B				
3.	315-0882	1	Transformer, Bracket (Three Phase)				
4.	338-4092-02	1	*Harness, Control (See Control Harness)				* See Information Control Harness Page
5.	307-1886	1	Relay, 12V SPDT (Part of 338-4092-01)				
6.	319-4511-02	1	Bracket, Control				

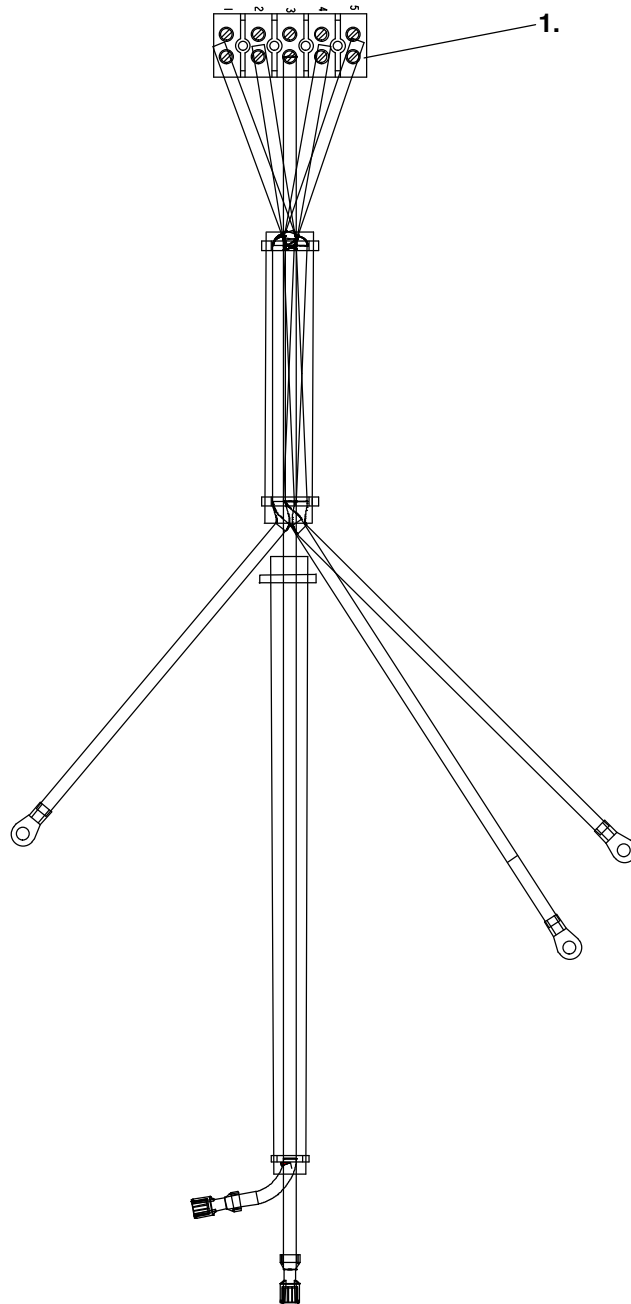
Control Harness



REF NO.	PART NO.	QTY USED	PART DESCRIPTION	REF NO.	PART NO.	QTY USED	PART DESCRIPTION
	338-4092-01	1	Harness, Control	5.	-	1	Socket, Relay (K3) (See Control)
1.	323-1819-01	1	Plug, Connector (35Pin)(P1)	6.	308-1019	AR	Connector, Switch (P9)
2.	323-1719	1	Lock, Housing	7.	321-0307-09	1	Fuse, 30Amp
3.	323-1709	8	Terminal, Socket	8.	323-1614-01	1	Pin
4.	323-1711	1	Connector (10Pin)(P2)				

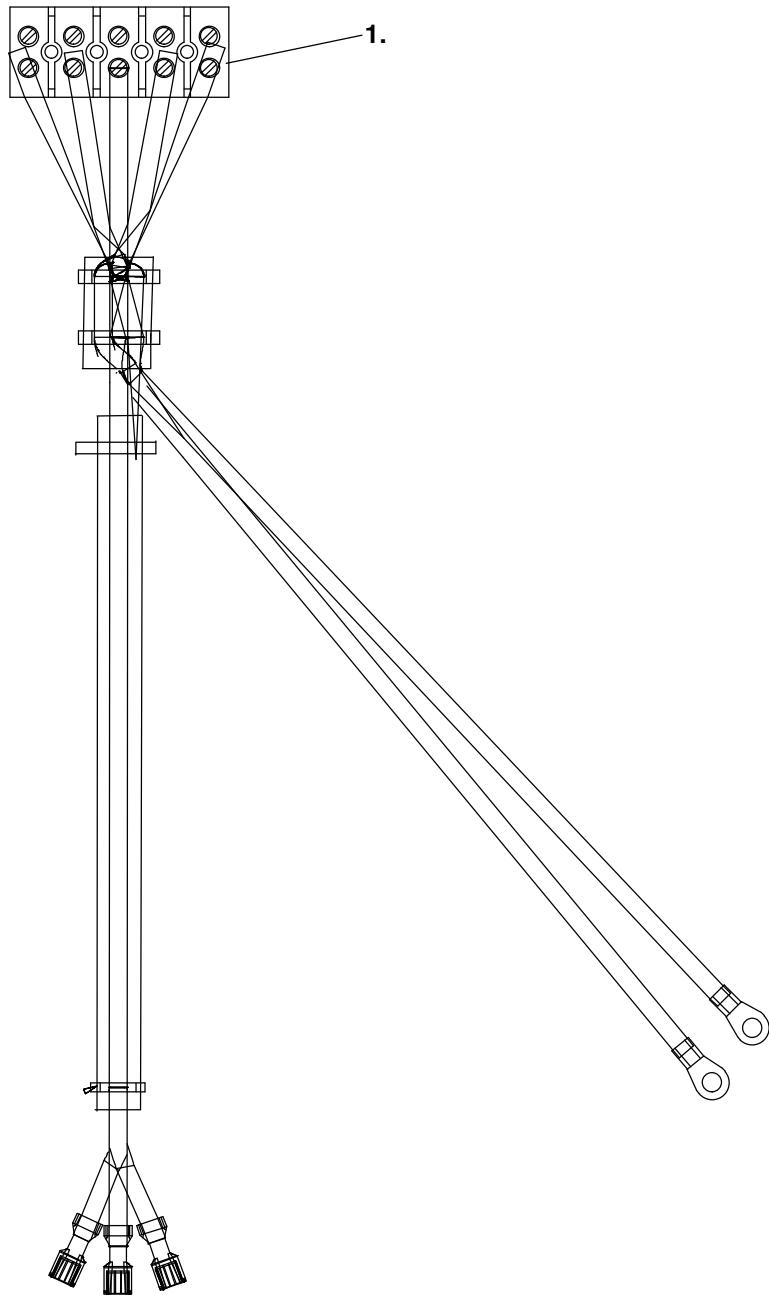
* See Control Page for location

AC Harness (Single Phase)



REF NO.	PART NO.	QTY USED	PART DESCRIPTION	REF NO.	PART NO.	QTY USED	PART DESCRIPTION
	338-4183	1	AC, Harness	* See Control Box Page for Location			
1.	332-3531-04	1	Terminal, Block (TB1)				

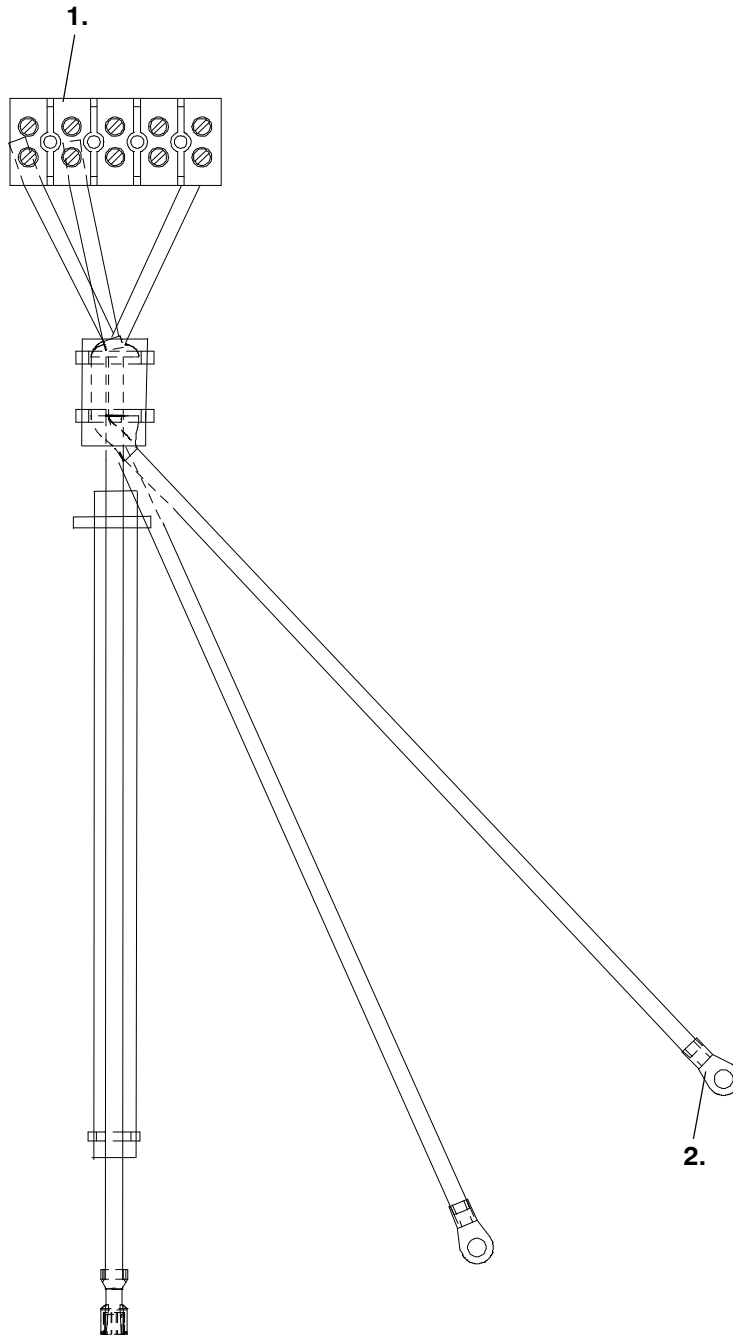
AC Harness (Three Phase)



REF NO.	PART NO.	QTY USED	PART DESCRIPTION	REF NO.	PART NO.	QTY USED	PART DESCRIPTION
	338-4219	1	AC, Harness	2.	332-2431	3	Terminal, Receptacle (.25") (CB1, CB2 and CB3)
1.	332-3531-04	1	Terminal, Block (TB1)				

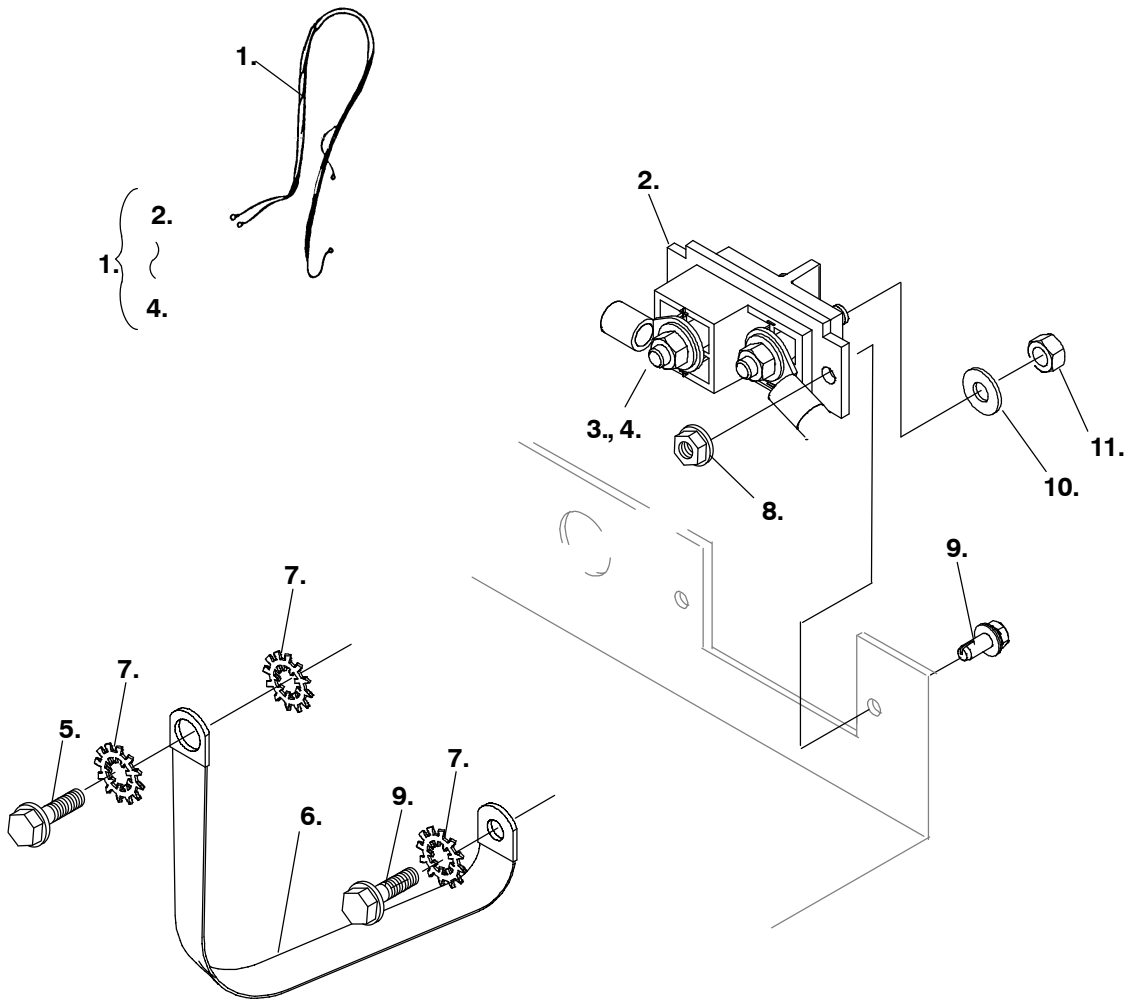
* See Control Box Page for Location

AC Harness with Iso / Neutral



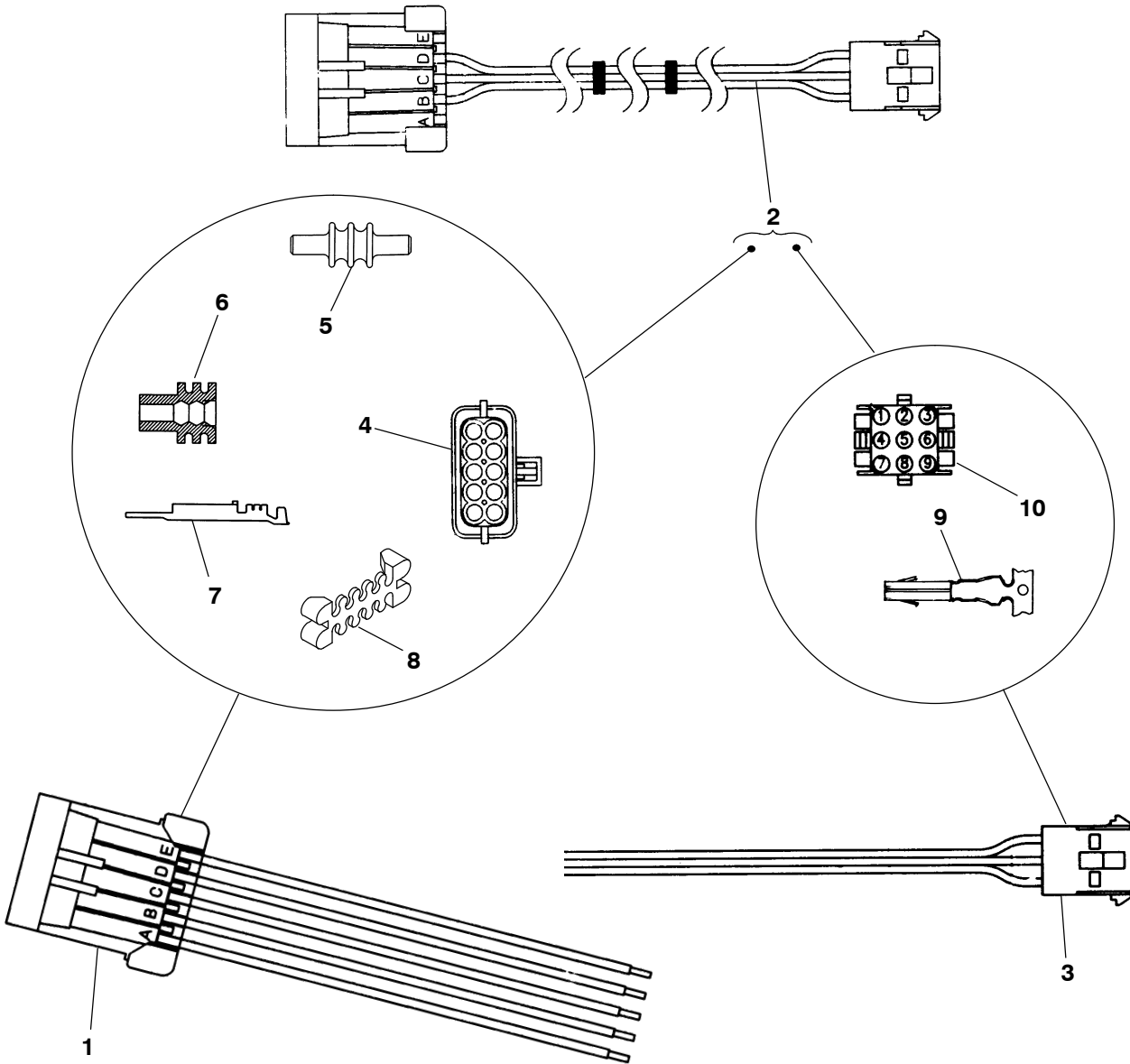
REF NO.	PART NO.	QTY USED	PART DESCRIPTION	REF NO.	PART NO.	QTY USED	PART DESCRIPTION
	338-5010	1	AC, Harness	2.	332-3082	2	Terminal, Ring (1/2") (Ground, Neutral)
1.	332-3531-04	1	Terminal, Block (TB1) (CB1, CB2 and CB3)				

Battery Harness



REF NO.	PART NO.	QTY USED	PART DESCRIPTION	REF NO.	PART NO.	QTY USED	PART DESCRIPTION
1.	338-4182-01	1	Harness, Battery (Includes Terminal Block, 2 Washers 2 Nuts, and Cables)	6.	337-3467	1	Strap, Bond
2.	332-3408	1	Block, Terminal	7.	856-0006	4	Washer, Lock ET (1/4")
3.	526-0054	2	Washer, Flat (5/16")	8.	870-2065-02	2	Nut, Hex Flange
4.	871-0025	2	Nut, Hex (.313-18)	9.	821-2096-03	3	Screw, Locking Flange
5.	815-0941-03	1	Screw, Hex Washer Head Tread Form (M6 x 1 x 16mm)	10.	526-0054	2	Washer, Flat (5/16")
				11.	871-0025	2	Nut, Hex Brass (5/16-18)

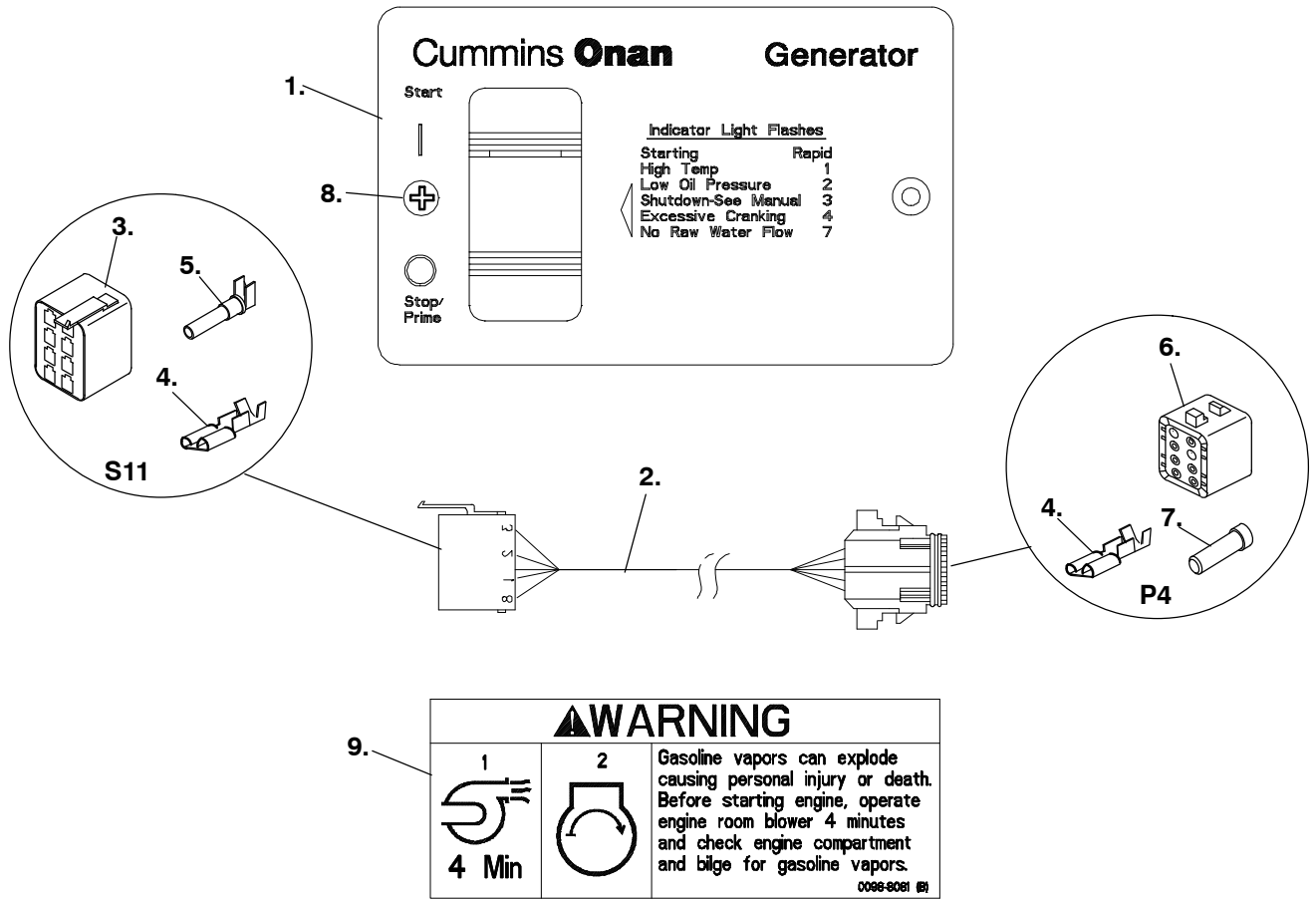
Remote Harnesses



REF NO.	PART NO.	QTY USED	PART DESCRIPTION	REF NO.	PART NO.	QTY USED	PART DESCRIPTION
1	300-4947	1	Harness, Remote (Includes Parts Marked *)	6	323-1708	8	+*Seal, Cable
2			Harness, Remote Panel (Includes Parts Marked +)	7	323-1707	8	+*Pin, Contact
	338-3490-01	1	10'	8	323-1719	1	+*Housing, Lock
	338-3490-02	1	30'	9	323-1200	AR	+#Socket, Contact
3	338-3573	1	Harness, Adapter (Includes Parts Marked #)	10	323-1325	1	+#Cap, Connector*
4	323-1710	1	+*Connector, Receptacle				
5	323-1712	2	+*Plug, Cavity				

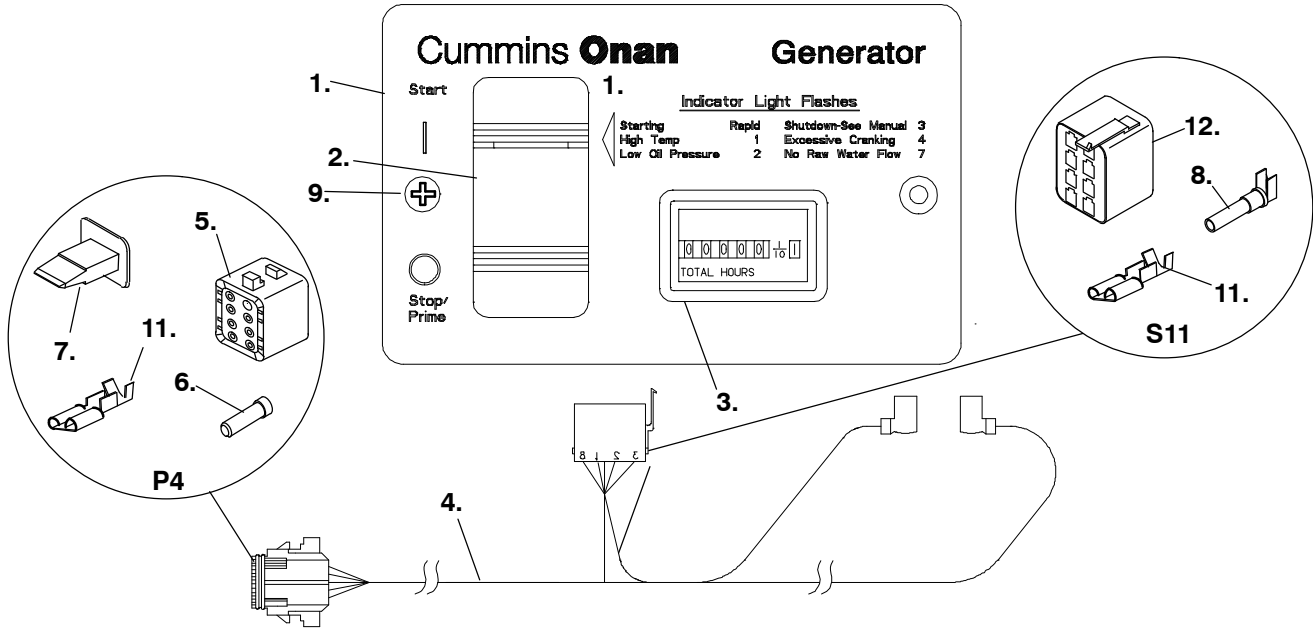
* - Parts Included in Remote Harness.
 + - Parts Included in Remote Panel Harness.
 # - Parts Included in Adapter Harness.

Remote Control Panel (W/Switch)



REF NO.	PART NO.	QTY USED	PART DESCRIPTION	REF NO.	PART NO.	QTY USED	PART DESCRIPTION
	300-4942	1	Kit, Remote Panel (Includes Parts Marked *)	4.	332-2890	6	#Terminal, Receptacle (.25)
1.	308-1101	1	Switch, Rocker (S11)	5.	323-1492	6	#Pin, Contact
	300-4953-03	1	*Panel, Remote (Includes Label)	6.	323-1541	1	#Plug (8 Pin)
2.	338-3988	1	Harness, Remote Panel (Includes Parts Marked#)	7.	323-1591	2	#Plug, Seal
3.	308-1019	1	#Connector, Switch	8.	815-0910	2	*Screw, Wood (#6 x 1)
				9.	98-8081	1	Label, Panel (Start/Preheat)
					323-1543	1	#Wedge, Plug (not shown)

Remote Control Panel (W/Hour Meter)



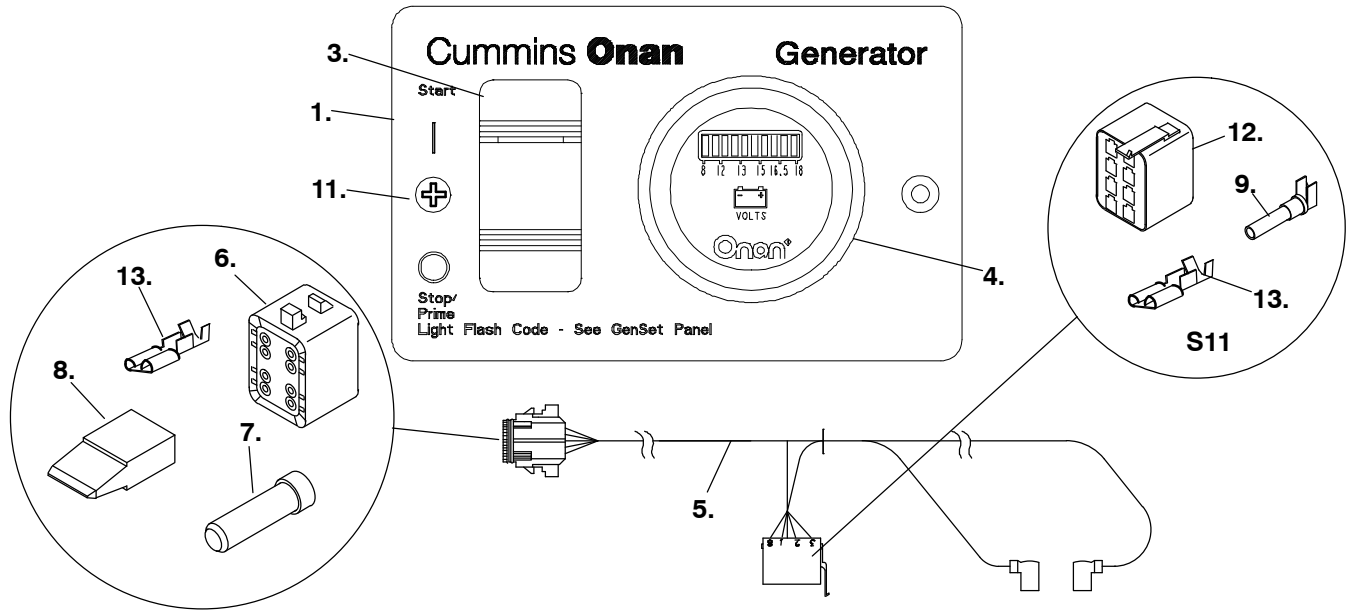
⚠ WARNING

 1 4 Min	 2	Gasoline vapors can explode causing personal injury or death. Before starting engine, operate engine room blower 4 minutes and check engine compartment and bilge for gasoline vapors.
------------------------------	--------------	--

0088-8081 (B)

REF NO.	PART NO.	QTY USED	PART DESCRIPTION	REF NO.	PART NO.	QTY USED	PART DESCRIPTION
	300-4943	1	Kit, Remote Panel	7.	323-1543	1	Wedge, Plug (8 Pin)
1.	300-4951-03	1	Panel, Remote (Includes Label)	8.	323-1492	6	Pin, Contact
2.	308-1101	1	Switch, Rocker (S11)	9.	815-0910	2	Screw, Wood (#6 x 1)
3.	302-2048	1	Hourmeter (M11)	10.	98-8081	1	Label, Warning
4.	338-3990	1	Harness, Remote Panel	11.	332-2890	6	Terminal, Receptacle
5.	323-1541	1	Plug (8 Pin) (J4)	12.	308-1019	1	Connector, Switch
6.	323-1591	2	Plug, Connector				

Remote Control Panel (W/Volt Meter)

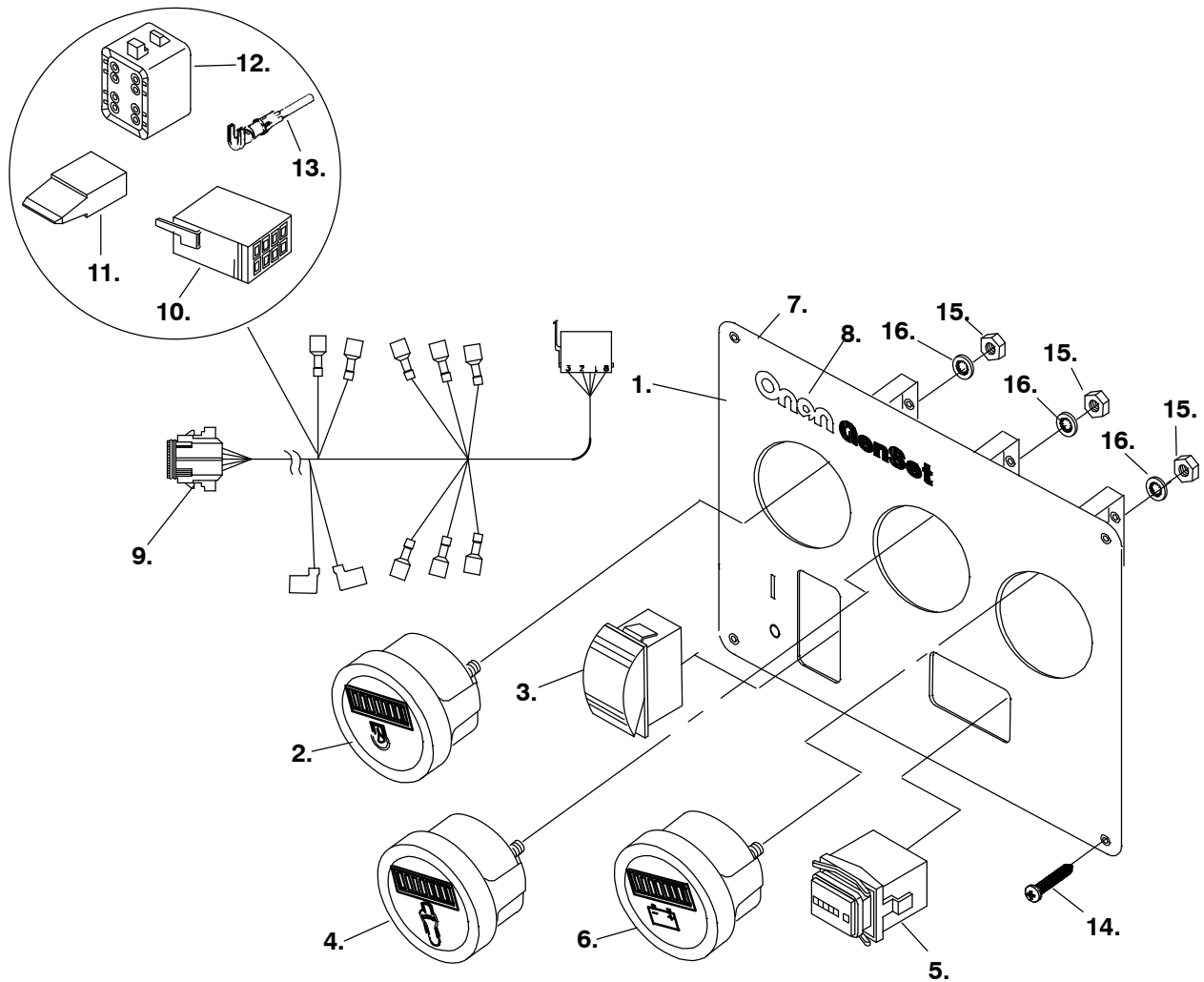


⚠ WARNING		
 4 Min		Gasoline vapors can explode causing personal injury or death. Before starting engine, operate engine room blower 4 minutes and check engine compartment and bilge for gasoline vapors.
0098-8081 01		

Cummins Onan	
GENERATOR OPERATION	
Start:	1. Complete pre-start checks. 2. Push and hold start switch. (Number status light flashes during starting.) 3. Release start switch when green run light is on.
Stop:	1. Push and release stop switch.
Status Light Flashes	
Starting	Rapid
High coolant temp	1
Low oil pressure	2
Shutdown - See manual	3
Excessive cranking	4
No raw water flow	7
See Operator's or Service Manual for important installation, safety, and health warnings and instructions.	

REF NO.	PART NO.	QTY USED	PART DESCRIPTION	REF NO.	PART NO.	QTY USED	PART DESCRIPTION
	300-4944	1	Kit, Remote Panel	7.	323-1591	2	Plug, Connector
1.	300-4952-03	1	Panel, Remote (Includes Label)	8.	323-1543	1	Wedge, Plug (8 Pin)
2.	98-8092	1	Label, Instruction	9.	323-1492	6	Pin, Contact
3.	308-1101	1	Switch, Rocker (S11)	10.	98-8081	1	Label, Warning
4.	302-2051-01	1	Meter, Volt (M14) (8-18V)	11.	815-0910	2	Screw, Wood (#6 x 1)
5.	338-3990	1	Harness, Remote Panel	12.	308-1019	1	Connector, Switch
6.	323-1541	1	Plug (8 Pin) (J4)	13.	332-2890	6	Terminal, Receptacle

Remote Gauge Control Panel



REF NO.	PART NO.	QTY USED	PART DESCRIPTION	REF NO.	PART NO.	QTY USED	PART DESCRIPTION
1.	300-4932	1	Panel, Remote	10.	308-1019	1	+Connector, Switch
2.	302-2088	1	Gauge, Oil Pressure (M12) (Includes Mounting Bracket, M4 x .7 Nut, and M4 Washer)	11.	323-1543	1	+Wedge, Plug (8 Pin)
3.	308-1102	1	Switch, Rocker (SPDT) (S11)	12.	323-1541	1	+Plug (8 Pin) (P4)
4.	302-2087	1	Gauge, Water Temperature (M13)	13.	323-1492	8	+Contact, Socket
5.	302-2048	1	Meter, Running Time (M11)	14.	819-1156-01	4	Screw, Pan Head Sheet Metal (#8-15 x 1.00")
6.	302-2051-02	1	Meter, Volt (M14) (8-18V)	15.	850-0114-51	6	Washer, Lock
7.	98-7840	1	Label, Panel (M14, M13, M12)	16.	860-2025	6	Nut, Hex Head
8.	98-7853	1	Label, Panel (Diesel Genset)				
9.	338-3989	1	Harness, Remote Panel (Reaches From Extension Harness to Remote Panel) (Includes Parts Marked +)	+ - Parts Included in Remote Panel Harness.			

Labels

REF NO.	PART NO.	QTY USED	PART DESCRIPTION	REF NO.	PART NO.	QTY USED	PART DESCRIPTION
HDKBB				HDKBC			
543-0018-02		1	Label, Package	543-0018-02		1	Label, Package
98-8718		1	Label, Logo	98-8718		1	Label, Logo
98-8720		1	Label, Logo	98-8755		1	Label, Logo
98-8790		1	Label, Warning (Voltage)	98-8720		1	Label, Logo
98-8755		1	Label, Logo	98-8805		1	Label, Information
98-8001-03		1	Label, Information 50Hz and 60Hz Single Phase(Control)	98-8790		1	Label, Warning (Voltage)
543-0018-03		1	Label, Package	98-8066		1	Label, Warning (Voltage)
				98-8720		1	Label, Logo
				98-8001-01		1	Label, Information 20 and 30 Amp Control
				98-8001-04		1	Label, Information 15 Amp 3 Pole Control)
				98-8001-05		1	Label, Information 8 Amp 3 Pole Control
				543-0018-03		1	Label, Package

Numerical Index

<u>Part No.</u>	<u>Page</u>	<u>Part No.</u>	<u>Page</u>	<u>Part No.</u>	<u>Page</u>	<u>Part No.</u>	<u>Page</u>
0100-4110,	9	130-5628,	56	181-9159,	14	184-0049,	39 , 40
098-7840,	73	130-5632-02,	51	181-9162,	11 , 12	184-0054,	29
098-7853,	73	130-5699-02,	56	181-9163,	11	184-0055,	28
098-8001-01,	74	130-7902,	50	181-9167,	22	184-0056,	28
098-8001-03,	62 , 74	132-0492,	46	181-9168,	22	184-0057,	28
098-8001-04,	62 , 74	132-0517,	46	181-9173,	9	184-0059,	28
098-8001-05,	62 , 74	134-5282-02,	44	181-9182,	40	184-0060,	28
098-8066,	74	140-2898,	44	181-9203,	29	184-0062,	21
098-8081,	70 , 71 , 72	140-3351,	44	181-9205,	28	184-0063,	45
098-8092,	72	140-3377,	44	181-9232,	23	184-0064,	45
098-8718,	74	140-3378-02,	44	181-9238,	26	184-0065,	25
098-8720,	74	140-3445,	44	181-9239,	26	185-2016,	10 , 11 , 12 , 13
098-8755,	74	140-3471,	44	181-9240,	26	185-2022,	12 , 13
098-8790,	74	147-0980,	34	181-9243,	18	185-2026,	10 , 11 , 16
098-8805,	74	147-0981,	34	181-9244,	43	185-2030,	11 , 12 , 13
101-0826-02,	37	149-2513,	41 , 42	181-9245,	26	185-2031,	11 , 12 , 13
102-1485,	55	149-2667-02,	41 , 42	181-9246,	26	185-2033,	10 , 11 , 12 , 13
103-0843,	27	149-2790,	41 , 42	181-9248,	26	185-2094,	9
103-0860,	27	150-2630,	31	181-9251,	20	185-2095,	9 , 17 , 18
104-1861,	37	150-2639,	31	181-9256,	43	185-2115,	9
104-1967-01,	37	150-2641,	31	184-0011,	55	185-2124,	27
104-2099,	12	150-2643,	31	184-0013,	28	185-2163,	39 , 40
104-2173,	13	150-2724,	31	184-0014,	9	185-2180,	30
105-0768,	14	150-2996,	29	184-0015,	27	185-2188,	9 , 17 , 18
110-3990,	20	154-2800,	58	184-0017,	28	185-2233,	9
110-3991,	20	154-3236,	58	184-0019,	28	185-2234,	9 , 27
110-4095,	18	155-3497,	49	184-0021,	10 , 11 , 12	185-2238,	45
110-4124,	9	155-3730-02,	58	184-0024,	17	185-2284,	21 , 22 , 23 , 25 , 28 , 30
120-1348,	55	155-4060,	58	184-0025,	17	185-2338,	30
123-2236,	53	181-9000,	26	184-0030,	10	185-2345,	21 , 22 , 23
123-2264,	26	181-9012,	20	184-0031,	10	185-2351,	19 , 20
123-2345,	53	181-9020,	13	184-0032,	10	185-2353,	10 , 11 , 12 , 39 , 40
123-2351,	26	181-9022,	9	184-0033,	10	185-2357,	39 , 40
130-4321,	50	181-9039,	29	184-0034,	10	185-2362,	57
130-5461-02,	49	181-9059,	45	184-0035,	21	185-2363,	17
130-5462-02,	49	181-9060,	48	184-0041,	21	185-2380,	19
130-5463-02,	49	181-9068,	55	184-0042,	21	185-2384,	26
130-5478,	49	181-9077,	14	184-0043,	27	185-2385,	21 , 22 , 23
130-5499,	49	181-9080,	32 , 33 , 34	184-0045,	9	185-2386,	14 , 19 , 20 , 39 , 40
130-5623,	49	181-9153,	48	184-0046,	10	185-2387,	12 , 14
130-5624-02,	49	181-9154,	48	184-0047,	55		

Numerical Index

<u>Part No.</u>	<u>Page</u>	<u>Part No.</u>	<u>Page</u>	<u>Part No.</u>	<u>Page</u>	<u>Part No.</u>	<u>Page</u>
185-2388, 9 , 45		185-5381, 24		185-5486, 9		185-5553, 19 , 20	
185-2389, 27 , 43 , 55		185-5382, 24		185-5487, 9		185-5554, 14	
185-2390, 15 , 16		185-5383, 24		185-5488, 9		185-5558, 14	
185-2393, 29		185-5384, 24		185-5489, 9 , 39		185-5560, 14	
185-2397, 27		185-5385, 24		185-5491, 9		185-5561, 14	
185-2398, 27		185-5386, 24		185-5492, 9		185-5562, 14	
185-2411, 17 , 18		185-5387, 24		185-5500, 17 , 18		185-5563, 14	
185-2413, 18		185-5388, 24		185-5501, 17 , 18		185-5564, 14	
185-2414, 17 , 18		185-5389, 24		185-5502, 17		185-5565, 14	
185-2559, 15 , 16 , 46		185-5390, 24		185-5503, 17 , 18		185-5566, 11	
185-2563, 18		185-5391, 24		185-5506, 27		185-5568, 10 , 11 , 12	
185-2572, 52		185-5392, 24		185-5507, 27		185-5569, 10	
185-4255, 19 , 28 , 47		185-5393, 24		185-5508, 27		185-5570, 10 , 11 , 12	
185-5335, 43		185-5394, 24		185-5509, 27		185-5571, 10 , 11 , 12	
185-5337, 21 , 22 , 23		185-5395, 24		185-5510, 27		185-5572, 10 , 11 , 12	
185-5339, 18		185-5396, 24		185-5515, 15 , 16		185-5573, 10 , 11 , 12	
185-5348, 19 , 20		185-5397, 24		185-5516, 15 , 16		185-5575, 10 , 11 , 15	
185-5350, 11 , 12		185-5398, 24		185-5517, 15		185-5576, 10 , 11 , 12	
185-5357, 10 , 11 , 16		185-5399, 24		185-5519, 15 , 16		185-5577, 10 , 11 , 12	
185-5358, 10 , 11 , 12		185-5400, 24		185-5521, 25		185-5578, 10 , 11 , 12	
185-5360, 10 , 11 , 12 , 13 , 16		185-5401, 24		185-5522, 25		185-5579, 10 , 11 , 12	
185-5361, 10 , 11 , 12 , 13 , 16		185-5402, 24		185-5523, 25		185-5580, 10 , 11 , 12 , 13 , 16	
185-5363, 24		185-5403, 24		185-5524, 25		185-5581, 10 , 11 , 16	
185-5364, 24		185-5404, 24		185-5527, 25		185-5582, 10 , 11 , 12 , 13	
185-5365, 24		185-5405, 24		185-5528, 25		185-5583, 10 , 11 , 12	
185-5366, 24		185-5406, 24		185-5529, 25		185-5587, 37	
185-5367, 24		185-5407, 25		185-5531, 43		185-5612, 21 , 22 , 23	
185-5368, 24		185-5410, 27		185-5533, 57		185-5614, 21 , 22 , 23	
185-5369, 24		185-5412, 9		185-5534, 57		185-5615, 22 , 23	
185-5370, 24		185-5413, 9		185-5536, 57		185-5616, 24	
185-5371, 24		185-5414, 9		185-5537, 19 , 20		185-5617, 24	
185-5372, 24		185-5415, 9		185-5538, 19 , 20		185-5618, 24	
185-5372, 24		185-5416, 9		185-5539, 19 , 20		185-5619, 24	
185-5373, 24		185-5421, 21 , 22 , 23		185-5540, 19 , 20		185-5621, 24	
185-5374, 24		185-5433, 46		185-5541, 19 , 20		185-5622, 24	
185-5375, 24		185-5438, 15		185-5542, 19 , 20		185-5623, 32 , 34	
185-5376, 24		185-5458, 45		185-5546, 19		185-5624, 32 , 34	
185-5377, 24		185-5482, 9		185-5547, 19		185-5625, 32 , 34	
185-5378, 24		185-5483, 9		185-5550, 19 , 20		185-5626, 32 , 34	
185-5379, 24		185-5484, 9		185-5551, 19 , 20		185-5628, 39 , 40	
185-5380, 24		185-5485, 9 , 33		185-5552, 19 , 20		185-5629, 39 , 40	

Numerical Index

<u>Part No.</u>	<u>Page</u>	<u>Part No.</u>	<u>Page</u>	<u>Part No.</u>	<u>Page</u>	<u>Part No.</u>	<u>Page</u>
185-5630,	39 , 40	185-5704,	29	185-7078,	30	300-4953-03,	70
185-5631,	39 , 40	185-5707,	52	185-7082,	21 , 22 , 23	302-2048,	62 , 71 , 73
185-5632,	39 , 40	185-5709,	52	185-7086,	19 , 20	302-2051-01,	72
185-5633,	39 , 40	185-5712,	46	185-7166,	48	302-2051-02,	73
185-5634,	39 , 40	185-5713,	46	185-7208,	45	302-2087,	73
185-5635,	39 , 40	185-5714,	46	185-7267,	28	302-2088,	73
185-5639,	33	185-5715,	46	185-7313,	30	305-0995,	62
185-5640,	33	185-5716,	26 , 45 , 46	185-7382,	27	305-0998-02,	62
185-5641,	33	185-5717,	46	185-7383,	15 , 16	305-1006,	62
185-5642,	33	185-5725,	47	185-7384,	14	307-1886,	63
185-5643,	33	185-5726,	47	185-7385,	14	308-1019,	64 , 70 , 71 , 72 , 73
185-5644,	33	185-5727,	47 , 48	185-7386,	11 , 12	308-1038,	62
185-5645,	33	185-5728,	47	185-7394,	19 , 20	308-1101,	70 , 71 , 72
185-5646,	33	185-5747,	25	185-7395,	19 , 20	308-1102,	73
185-5647,	33	185-5798,	9	185-7421,	55	315-0856,	63
185-5648,	33	185-5829,	57	185-7426,	25 , 26	315-0882,	63
185-5649,	33	185-5833,	43	185-7444,	27	315-0899,	63
185-5650,	33	185-5924,	14	190-0757,	37	319-4511-02,	63
185-5651,	33	185-5985,	22 , 23	191-2229,	38	319-4987-S0,	49
185-5652,	33	185-6580,	9	193-0318,	17 , 45	320-2101-02,	62
185-5653,	33	185-6667,	45	193-0491,	17	320-2433-01,	62
185-5654,	33	185-6677,	45	201-3678-01,	60	320-2433-02,	62
185-5655,	33	185-6711,	27	205-0289,	60 , 61	320-2439-01,	62
185-5656,	33	185-6735,	32 , 34	205-0347,	60 , 61	321-0307-09,	64
185-5657,	33	185-6736,	32 , 34	212-1303,	60 , 61	323-1200,	69
185-5658,	33	185-6737,	32 , 34	220-4620-01,	60	323-1325,	69
185-5659,	33	185-6738,	21 , 22 , 23	220-4620-02,	60	323-1492,	70 , 71 , 72 , 73
185-5660,	33 , 34	185-6759,	28 , 32 , 34 , 47	220-4620-03,	60	323-1541,	70 , 71 , 72 , 73
185-5661,	33 , 34	185-6822,	52	220-4620-04,	60	323-1543,	70 , 71 , 72 , 73
185-5662,	33 , 34	185-6825,	24	220-4621-01,	60	323-1591,	70 , 71 , 72
185-5663,	33 , 34	185-6851,	57	220-4621-02,	60	323-1614-01,	64
185-5680,	30	185-6931,	30	232-4111,	37	323-1707,	69
185-5681,	30	185-6939,	28	232-4192,	16	323-1708,	69
185-5682,	30	185-6956,	55	232-4193,	16	323-1709,	64
185-5684,	30	185-6981,	25	300-4932,	73	323-1710,	69
185-5693,	28	185-6999,	29	300-4942,	70	323-1711,	64
185-5696,	28 , 29	185-7069,	27 , 45	300-4943,	71	323-1712,	69
185-5698,	29	185-7072,	15	300-4944,	72	323-1719,	64 , 69
185-5701,	29	185-7073,	15 , 16	300-4947,	69	323-1819-01,	64
185-5702,	29	185-7075,	14	300-4951-03,	71	327-0923,	41 , 42 , 55
185-5703,	29	185-7076,	11 , 12	300-4952-03,	72	332-0897,	67

Numerical Index

<u>Part No.</u>	<u>Page</u>	<u>Part No.</u>	<u>Page</u>	<u>Part No.</u>	<u>Page</u>	<u>Part No.</u>	<u>Page</u>
332-1356,	60 , 61	405-7212-02,	62	503-2311,	44	543-0018-02,	74
332-1389,	49 , 50	405-7255,	59	503-2312,	50	543-0018-03,	74
332-2370,	62	405-7325-02,	59	503-2313,	50	718-1020,	37
332-2431,	66	405-7327,	59	503-2343-02,	50	725-1027,	53 , 54
332-2890,	70 , 72	405-7328,	59	503-2343-04,	50	740-1002,	31
332-3408,	68	405-7375,	59	503-2398-02,	52	740-1004,	19 , 47
332-3531-04,	65 , 66 , 67	405-7376,	59	503-2407,	55	750-1006,	38
337-3467,	56 , 68	405-7491-S0,	62	508-1118,	59	800-2043,	44
338-3490-01,	69	405-7492,	62	508-1265,	60 , 61	800-2052,	41 , 42 , 55
338-3490-02,	69	405-7493,	62	509-0420,	37 , 60 , 61	800-2057,	37
338-3573,	69	405-7494-02,	62	509-0549,	9	800-2091,	60 , 61
338-3988,	70	405-7496,	62	510-0163,	39	800-2093,	37
338-3989,	73	405-7497-02,	62	510-0184,	31	800-6296-01,	37 , 60 , 61
338-3990,	71 , 72	405-7498,	62	510-0202-02,	37	800-6298,	44
338-4092-01,	64	405-7566,	59	510-0208,	60	800-6330,	26
338-4092-02,	63	405-7567-02,	59	511-0196,	37	800-6497-01,	59 , 62
338-4182-01,	68	405-7568-S0,	59	511-0196-02,	37	800-6549,	34
338-4183,	65	405-7659-02,	59	511-0235,	52	812-0070,	62
338-4219,	66	405-7660-02,	59	512-0205-01,	37	815-0550-01,	62
338-5010,	67	406-0842,	59	512-0217,	37	815-0657,	37
338-5011,	62	406-0958,	54	512-0248,	37	815-0753,	60 , 61
363-0205,	62	501-0804,	41	512-0399,	37	815-0781,	38
402-0687-01,	58 , 59	501-1118,	23	517-0371,	55	815-0829-04,	50 , 53 , 54 , 56 , 60 , 61
402-0695-02,	58 , 59	501-1119,	23	518-0548-05,	50	815-0842-09,	56
402-0728-01,	56	502-1180,	55	518-0548-08,	54	815-0877,	31
403-4546-02,	37	502-1224,	41 , 42	518-0672,	31	815-0910,	70 , 71 , 72
403-4561-02,	56	502-1296-02,	41 , 42	526-0017,	37 , 60 , 61	815-0927-01,	60 , 61
403-4565-02,	56	502-1359,	9	526-0030,	56	815-0941-03,	56 , 68
403-4605,	56	502-1360,	9	526-0045,	37	815-0943-02,	63
403-4635-04,	56	502-1367-01,	41 , 42	526-0049,	17	818-0231-02,	59
403-5751-02,	53	503-0398,	44	526-0054,	68	819-1156-01,	73
405-5309-03,	62	503-0429,	44	526-0115,	41 , 42 , 55	821-0008,	62
405-5380-05,	62	503-1168,	55	526-0324,	56	821-0015,	62
405-6833-S2,	59	503-1445-04,	26	526-2080,	44	821-2034,	62
405-6835-S2,	59	503-1951-12,	41 , 42	526-2081,	53 , 54	821-2096-02,	41 , 42 , 49 , 53 , 56 , 58 , 63
405-6836-S2,	59	503-1951-13,	41 , 42	526-2083,	60	821-2096-03,	68
405-6851,	59	503-1951-37,	50	526-2100,	37	821-6003-01,	56
405-6853-01,	59	503-1951-40,	50	526-2120,	37 , 56	850-0114-51,	73
405-6854,	59	503-1951-46,	50	541-0953,	58	850-2008,	38
405-6855,	59	503-2052-01,	41	541-1205,	60	851-0045,	37
405-6856,	59	503-2309,	50	541-1369,	53		

Numerical Index

<u>Part No.</u>	<u>Page</u>	<u>Part No.</u>	<u>Page</u>	<u>Part No.</u>	<u>Page</u>	<u>Part No.</u>	<u>Page</u>
854-0028,	41 , 42	A046X323,	13				
856-0006,	37 , 56 , 68	A046X327,	13				
860-2025,	73	A047P267,	9				
865-0030,	44	A047P273,	18				
868-0007,	41 , 42	A047P276,	18				
870-0257,	41 , 42	A047P292,	9				
870-0462,	49 , 59	A047P305,	16				
870-0557,	58	A047P313,	16				
870-2065-02,	37 , 44 , 49 , 54 , 58 , 59 , 68	A047P327,	16				
871-0010,	17	A047P335,	16				
871-0025,	68	A047P356,	14				
A028X874,	58	A047P360,	14				
A029T834,	42	A047P563,	13				
A029T836,	42	A047P581,	13				
A029T839,	41 , 42	A047P585,	13				
A029W995,	60 , 61	A047P588,	13				
A029X506,	54	A047P591,	13				
A030D594,	59	A047P593,	40				
A030D597,	59	A047P596,	40				
A030D599,	59	A047P600,	40				
A030D619,	59	A047P603,	34				
A040P195,	13	A047P607,	46				
A040P262,	28	A047P611,	46				
A040P552,	14	A047P613,	43				
A040P681,	13	A047P621,	43				
A040P912,	13	A048Z763,	54				
A040P952,	13	A049E008,	54				
A040R030,	13	A049T369,	49				
A040R189,	13	A053L824,	61				
A040R302,	26	A053M356,	61				
A040R304,	15 , 16	A053R511,	61				
A040R610,	13	A055G951,	22 , 23 , 24				
A041D996,	54 , 59						
A042W432,	54 , 61						
A042W757,	54						
A042X089,	63						
A044B670,	9						
A046X258,	13						
A046X266,	13						
A046X269,	13						
A046X274,	13						

This Page Intentionally Left Blank.

power.cummins.com

Copyright © 2019 Cummins Inc. All rights reserved.

Cummins, Onan, and the "C" logo are registered trademarks of Cummins Inc. and its subsidiaries.

Other company, product, or service names may be trademarks or service marks of others.

Specifications are subject to change without notice.

